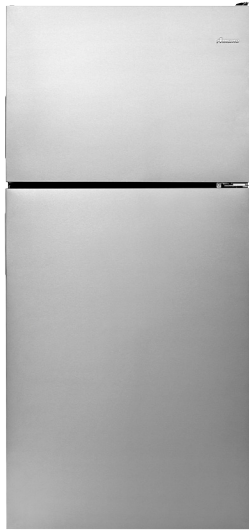




18 cu. ft. Top-Freezer Refrigerator

ART318FFD



Stainless Steel
ART318FFDS

Capacity

Total Capacity	18 cu. ft.
Refrigerator Capacity	13 cu. ft.
Freezer Capacity	5 cu. ft.

General Features & Properties

Gallon Door Storage Bins
Up-Front Temperature Control System
Glass Shelves
Reversible Door
18 cu. ft. Capacity

Electrical Details

Amps	15 or 20
Volts	115

Certifications

ADA Compliant	Yes
---------------	-----

Technical Details

Refrigerator Type	Top-Freezer
Number of Doors	2
Number of Interior Refrigerator Shelves	3
Number of Refrigerator Door Bins	5 Fixed
Number of Interior Freezer Shelves	1
Number of Freezer Door Bins	2 Fixed
Lighting Type	Incandescent
Ice Maker	Optional
Ice Maker Location	Freezer
Dispenser Type	N/A

Dimensions

Product Dimensions (H x W x D)	65-7/8" x 29-3/4" x 31-3/8"
Depth with Door Open 90°	59-3/4"
Cutout Dimensions	Allow extra 1/2" on sides and top Allow extra 1" on rear

Reference Material

[Dimension Guide](#)

[Use & Care Guide](#)

[Energy Guide](#)

[Warranty](#)

Also available in:

- White **ART318FFDW**
- Black **ART318FFDB**

Key Features & Benefits

Humidity-Controlled Garden Fresh™ Crispers

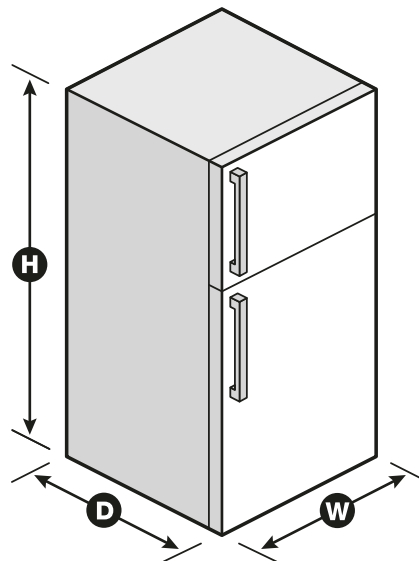
Keep fruits and veggies right where you can see them.

Flip-Up Storage

Fit tall containers with this adjustable flip-up shelf.

Dairy Bin

Easily access items like butter, cream cheese and yogurt.



NOTE: Dimensions are for planning purposes only. For complete details, see Installation Instructions packed with product. Specifications subject to change without notice.

®/™ © 2020. All rights reserved. Printed in the U.S.A. D200052XXC. ART318FFDSPECSHEETV01.