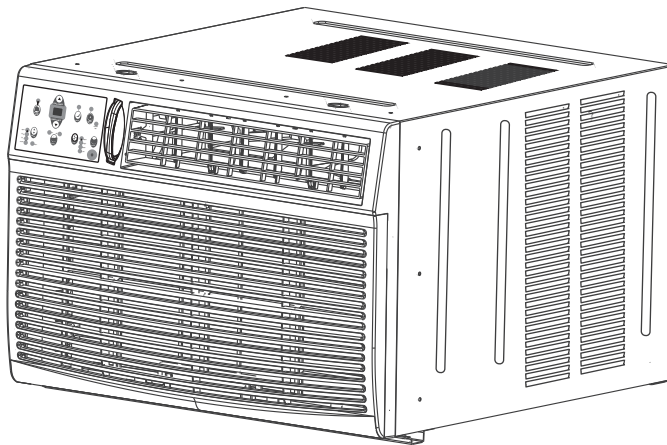


WINDOW/WALL-TYPE ROOM AIR CONDITIONER

Keystone™

USER'S MANUAL



Model: KSTAW15C
KSTAW18C
KSTAW25C

TABLE OF CONTENTS

Important Safety Instructions	1-3	Normal Sounds	12
Installation Instructions	4-11	Air Conditioner Features	12-14
		Care and Cleaning	14-15
		Troubleshooting Tip	15-16

Before using your air conditioner, please read
this manual carefully and keep it for future reference.



Tarjeta de Registracion de Producto

Es sencillo! Cumple y envia su Tarjeta de Registracion de Producto hoy!

Nombre |_____|

Dirección |_____|

Ciudad |_____| Estado |_____| Código postal |_____|

Teléfono (Opcional) |_____| / |_____| - |_____|

Dirección de E-mail (Opcional) |_____|

Donde Comprado |_____|

|_____| |_____| |_____| |_____| |_____| |_____|

Numero de Modelo Numero de Serie Mes Dia Año

REV 11/04 Fecha de la compra

Porfavor devuelve su Tarjeta de Registracion de Producto hoy!



Product Registration Card

It's simple! Complete and mail your Product Registration Card today!

Name |_____|

Address |_____|

City |_____| State |_____| Zip |_____|

Phone (Optional) |_____| / |_____| - |_____|

E-mail Address (Optional) |_____|

Where Purchased |_____|

|_____| |_____| |_____| |_____| |_____| |_____|

Model Number Serial Number Month Day Year

REV 11/04 Date of Purchase

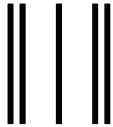
Please return your Product Registration Card today!

MIDEA AMERICA CORPORATION
PRODUCT REGISTRATION CENTER
11800 NW 100 ROAD STE 4
MEDLEY FL 33178-1037



PLACE
STAMP
HERE

Postage
Required,
Post Office will
not deliver
without proper
postage.





Product Warranty Card

Tarjeta de Garantia de Producto

Air conditioner warranty

Your product is protected by this warranty:
Your appliance is warranted by Midea. Any obligations for services and parts under this warranty must be performed by Midea Consumer Services or an authorized Midea servicer
To contact a Customer Service Representative, Call Midea TOLL FREE

1-866-646-4332[®]

Garantia

Su producto está protegido por esta garantía:
Su producto está garantizado por Midea. Cualquier obligación de proporcionar servicio o repuestos establecida en esta garantía deberá ser cumplida por los Servicios al consumidor de Midea o por un representante autorizado de Midea.
Para comunicarse con un Representante de Servicio al Cliente, tenga la bondad de llamar por teléfono sin cargo alguno a Midea, al número:





1-866-646-4332[®]

IMPORTANT SAFETY INSTRUCTIONS


















READ THIS MANUAL

Inside you will find many helpful hints on how to use and maintain your air conditioner properly. Just a little preventive care on your part can save you a great deal of time and money over the life of your air conditioner. You'll find many answers to common problems in the chart of troubleshooting tips. If you review our chart of Troubleshooting Tips first, you may not need to call for service at all.

To prevent injury to the user or other people and property damage, the following instructions must be followed. Incorrect operation due to ignoring of instructions may cause harm or damage. The seriousness is classified by the following indications.

 WARNING	This symbol indicates the possibility of death or serious injury.		
 CAUTION	This symbol indicates the possibility of injury or damage to property.		
	Never do this.		Always do this.

WARNING

<p> Plug in power plug properly.</p> <p>● Otherwise, it may cause electric shock or fire due to excess heat generation.</p>	<p> Do not operate or stop the unit by inserting or pulling out the power plug.</p> <p>● It may cause electric shock or fire due to heat generation.</p>	<p> Do not damage or use an unspecified power cord.</p> <p>● It may cause electric shock or fire. ● If the power cord is damaged, it must be replaced by the manufacturer or an authorised service centre or a similarly qualified person in order to avoid a hazard.</p>
<p> Always install circuit breaker and a dedicated power circuit.</p> <p>● Incorrect installation may cause fire and electric shock.</p>	<p> Do not operate with wet hands or in damp environment.</p> <p>● It may cause electric shock.</p>	<p> Do not direct airflow at room occupants only.</p> <p>● This could damage your health.</p>
<p> Always ensure effective grounding.</p> <p>● Incorrect grounding may cause electric shock.</p>	<p> Do not allow water to run into electric parts.</p> <p>● It may cause failure of machine or electric shock.</p>	<p> Do not modify power cord length or share the outlet with other appliances.</p> <p>● It may cause electric shock or fire due to heat generation.</p>
<p> Unplug the unit if strange sounds, smell, or smoke comes from it.</p> <p>● It may cause fire and electric shock.</p>	<p> Do not use the socket if it is loose or damaged.</p> <p>● It may cause fire and electric shock.</p>	<p> Do not open the unit during operation.</p> <p>● It may cause electric shock.</p>
<p> Keep firearms away.</p> <p>● It may cause fire.</p>	<p> Do not use the power cord close to heating appliances.</p> <p>● It may cause fire and electric shock.</p>	<p> Do not use the power cord near flammable gas or combustibles, such as gasoline, benzene, thinner, etc.</p> <p>● It may cause an explosion or fire.</p>
<p> Ventilate room before operating air conditioner if there is a gas leakage from another appliance.</p> <p>● It may cause explosion, fire and, burns.</p>	<p> Do not disassemble or modify unit.</p> <p>● It may cause failure and electric shock.</p>	

IMPORTANT SAFETY INSTRUCTIONS

CAUTION

- | | | |
|--|---|---|
| <ul style="list-style-type: none">⊘ When the air filter is to be removed, do not touch the metal parts of the unit. <ul style="list-style-type: none">● It may cause an injury. | <ul style="list-style-type: none">⊘ Do not put a pet or house plant where it will be exposed to direct air flow. <ul style="list-style-type: none">● This could injure the pet or plant. | <ul style="list-style-type: none">⊘ Ventilate the room well when used together with a stove, etc. <ul style="list-style-type: none">● An oxygen shortage may occur. |
| <ul style="list-style-type: none">⊘ Do not use strong detergent such as wax or thinner but use a soft cloth. <ul style="list-style-type: none">● Appearance may be deteriorated due to change of product color or scratching of its surface. | <ul style="list-style-type: none">⊘ Do not clean the air conditioner with water. <ul style="list-style-type: none">● Water may enter the unit and degrade the insulation. It may cause an electric shock. | <ul style="list-style-type: none">⊘ Do not use for special purposes. <ul style="list-style-type: none">● Do not use this air conditioner to preserve precision devices, food, pets, plants, and art objects. It may cause deterioration of quality, etc. |
| <ul style="list-style-type: none">⊘ Stop operation and close the window in storm or hurricane. <ul style="list-style-type: none">● Operation with windows opened may cause wetting of indoor and soaking of household furniture. | <ul style="list-style-type: none">⊘ When the unit is to be cleaned, switch off, and turn off the circuit breaker. <ul style="list-style-type: none">● Do not clean unit when power is on as it may cause fire and electric shock, it may cause an injury. | <ul style="list-style-type: none">⊘ Ensure that the installation bracket of the outdoor appliance is not damaged due to prolonged exposure. <ul style="list-style-type: none">● If bracket is damaged, there is concern of damage due to falling of unit. |
| <ul style="list-style-type: none">⊘ Always insert the filters securely. Clean filter once every two weeks. <ul style="list-style-type: none">● Operation without filters may cause failure. | <ul style="list-style-type: none">⊘ Hold the plug by the head of the power plug when taking it out. <ul style="list-style-type: none">● It may cause electric shock and damage. | <ul style="list-style-type: none">⊘ Turn off the main power switch when not using the unit for a long time. <ul style="list-style-type: none">● It may cause failure of product or fire. |
| <ul style="list-style-type: none">⊘ Do not place obstacles around air-inlets or inside of air-outlet. <ul style="list-style-type: none">● It may cause failure of appliance or accident. | <ul style="list-style-type: none">⊘ Do not place heavy object on the power cord and ensure that the cord is not compressed. <ul style="list-style-type: none">● There is danger of fire or electric shock. | <ul style="list-style-type: none">⊘ Do not drink water drained from air conditioner. <ul style="list-style-type: none">● It contains contaminants and could make you sick. |
| <ul style="list-style-type: none">⊘ Use caution when unpacking and installing. Sharp edges could cause injury. | <ul style="list-style-type: none">⊘ If water enters the unit, turn the unit off at the power outlet and switch off the circuit breaker. Isolate supply by taking the power-plug out and contact a qualified service technician. | |

CAUTION

- This appliance is not intended for use by persons (including children) with reduced physical, sensory or mental capabilities or lack of experience and knowledge, unless they have been given supervision or instruction concerning use of the appliance by a person responsible for their safety.
- Children should be supervised to ensure that they do not play with the appliance.
- If the supply cord is damaged, it must be replaced by the manufacturer, its service agent or similarly qualified persons in order to avoid a hazard.
- The appliance shall be installed in accordance with national wiring regulations.
- Do not operate your air conditioner in a wet room such as a bathroom or laundry room.
- The appliance with electric heater shall have at least 1 meter space to the combustible materials.
- Contact the authorised service technician for repair or maintenance of this unit.
- Contact the authorised installer for installation of this unit.

IMPORTANT SAFETY INSTRUCTIONS

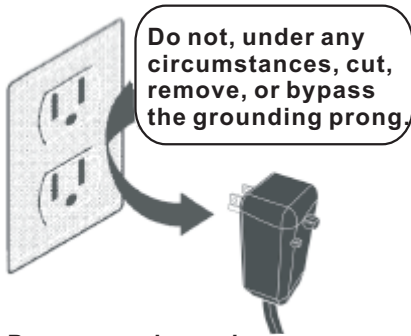
NOTE:

The power supply cord with this air conditioner contains a current detection device designed to reduce the risk of fire. Please refer to the section Operation of Current Device for details. In the event that the power supply cord is damaged, it cannot be repaired-it must be replaced with a cord from the Product Manufacturer.

WARNING

Avoid fire hazard or electric shock. Do not use an extension cord or an adaptor plug. Do not remove any prong from the power cord.

Grounding type wall receptacle



Power supply cord with 3-prong grounding plug and current detection device

WARNING

For Your Safety

Do not store or use gasoline or other flammable vapors and liquids in the vicinity of this or any other appliance.

WARNING

Prevent Accidents

To reduce the risk of fire, electrical shock, or injury to persons when using your air conditioner, follow basic precautions, including the following:

- Be sure the electrical service is adequate for the model you have chosen. This information can be found on the serial plate, which is located on the side of the the cabinet and behind the grille.
- If the air conditioner is to be installed in a window, you will probably want to clean both sides of the glass first. If the window is a triple-track type with a screen panel included, remove the screen completely before installation.
- Be sure the air conditioner has been securely and correctly installed according to the installation instructions in this manual. Save this manual for possible future use in removing or installing this unit.
- When handling the air conditioner, be careful to avoid cuts from sharp metal fins on front and rear coils.

WARNING

Electrical Information

The complete electrical rating of your new room air conditioner is stated on the serial plate. Refer to the rating when checking the electrical requirements.

- Be sure the air conditioner is properly grounded. To minimize shock and fire hazards, proper grounding is important. The power cord is equipped with a three-prong grounding plug for protection against shock hazards.
- Your air conditioner must be used in a properly grounded wall receptacle. If the wall receptacle you intend to use is not adequately grounded or protected by a time delay fuse or circuit breaker, have a qualified electrician install the proper receptacle. Ensure the receptacle is accessible after the unit installation.
- Do not run air conditioner without side protective cover in place. This could result in mechanical damage within the air conditioner.
- **Do not use an extension cord or an adaptor plug.**

Operation of Current Device

(Applicable to the unit adopts current detection device only)

The power supply cord contains a current device that senses damage to the power cord. To test your power supply cord do the following:

1. Plug in the Air Conditioner.
2. The power supply cord will have TWO buttons on the plug head. Press the TEST button, you will notice a click as the RESET button pops out.
3. Press the RESET button, again you will notice a click as the button engages.
4. The power supply cord is now supplying electricity to the unit. (On some products this it also indicated by a light on the plug head.)

NOTE:

- Do not use this device to turn the unit on or off.
- Always make sure the RESET button is pushed in for correct operation.
- The power supply must be replaced if it fails reset when either the TEST button is pushed, or it cannot be reset. A new one can be obtained from the product manufacturer.
- If power supply cord is damaged, it cannot be repaired. It **MUST** be replaced by one obtained from the product manufacturer.

NOTE: This air conditioner is designed to be operated under condition as follows:

Cooling operation	Outdoor temp:	64-109°F/18-43°C (64-125°F/18-52°C for special tropical models)
	Indoor temp:	62-90°F/17-32°C
Heating operation	Outdoor temp:	23-76°F/-5-24°C
	Indoor temp:	32-80°F/0-27°C

Note: Performance may be reduced outside of these operating temperatures.

INSTALLATION INSTRUCTIONS



BEFORE YOU BEGIN

Read these instructions completely and carefully.

IMPORTANT- Save these instructions for local inspector's use.

IMPORTANT- Observe all governing codes and ordinances.

Note to Installer- Be sure to leave these instructions with the Consumer.

Note to Consumer- Keep these instructions for future reference.

Skill level- Installation of this appliance requires basic mechanical skills.

Completion time- Approximately 1 hour. We recommend that two people install this product.

Proper installation is the responsibility of the installer.

Product failure due to improper installation is not covered under the Warranty.

You **MUST** use all supplied parts and use proper installation procedures as described in these instructions when installing this air conditioner.



CAUTION

Do not, under any circumstances, cut or remove the third (ground) prong from the power cord.

Do not change the plug on the power cord of the air conditioner.

Aluminum house wiring may present special problems- consult a qualified electrician.

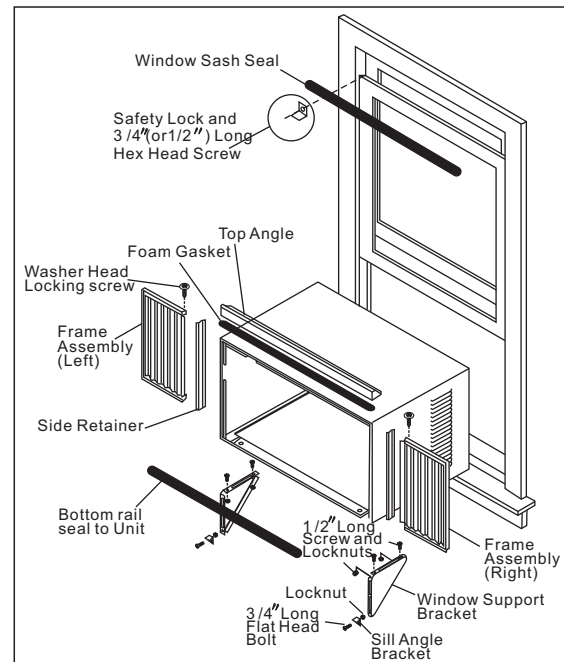
When handling unit, be careful to avoid cuts from sharp metal edges and aluminum fins on front and rear coils.



NOTE:

Save Carton and these Installation Instructions for future reference. The carton is the best way to store unit during winter, or when not in use.

Preliminary Instructions



Do the following before starting to install unit. See illustrations below.

Check dimensions of your unit to determine model type:

Unit Height:	18 5/8"	17 5/8"
Unit Width:	26 1/2"	23 5/8"
Min. Window Opening:	19 1/2"	18 1/2"
Min. Window Width:	31"	28"
Max. Window Width:	42"	40 1/2"

Fig.D

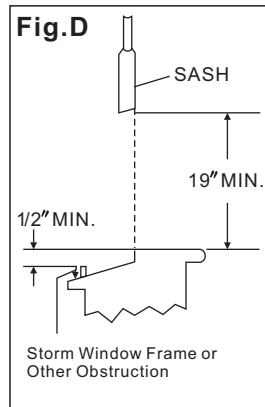
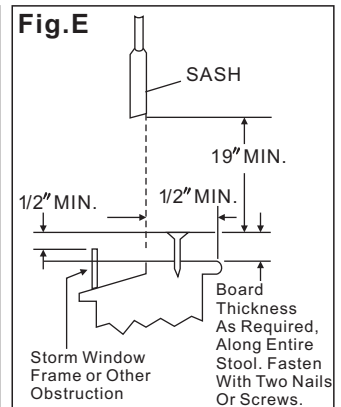


Fig.E



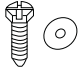


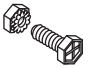


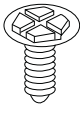


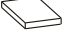

1. **Check window opening size--** the mounting parts furnished with this air conditioner are made to install in a wooden sill double-hung window. The standard parts are for window dimensions listed above. Open sash to a minimum of 19 inches (483mm). See Fig.D.
2. **Check condition of window--** all wood parts of window must be in good shape and able to firmly hold the needed screws. If not, make repairs before installing unit.

INSTALLATION INSTRUCTIONS

Preliminary Instructions

3. **Check your storm windows**-- if your storm window frame does not allow the clearance required, correct by adding a piece of wood as shown in Fig. E, or by removing storm window while room air conditioner is being installed.
4. **Check for anything that could block airflow**-- check area outside of window for things such as shrubs, trees, or awnings. Inside, be sure furniture, drapes, or blinds will not stop proper airflow.
5. **Check the available electrical service**- Power supply must be the same as that shown on the unit serial nameplate. Power cord is 48 inches long. Be sure you have an outlet near.
6. **Carefully unpack air conditioner**- Remove all packing material. Protect floor or carpet from damage. Two people should be used to move and install unit.

Hardware(Packed with the unit)

	7/16 inch Locking screw and Flat washer for window panels	2 ea.
	3 / 4 (or 1/2)inch Long Hex-head Screw	7
	Safety Lock	1
	1 / 2 inch Long screw and Locknut	4ea.
	3 / 4 inch Long Flat Head Bolt and Locknut	2ea.
	Sill Angle Bracket	2
	Long hex-head locking screw for top angle, side retainer 5 / 16 inch Long	10
	Foam insert	2
	Window sash seal foam	1
	R1 hardware	2
	Weather stripping (10*3/4*1/12)	5

NOET: R1 hardware and Weather stripping is only for Energy star models.

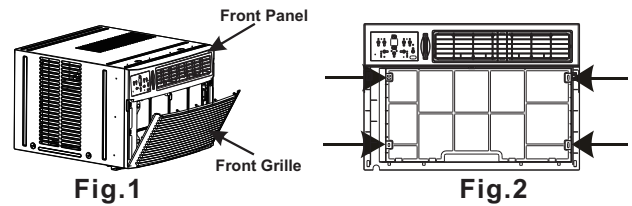
Tools Required

A large flat blade screwdriver; Tape measure
Adjustable wrench or pliers; Pencil; Level
Socket wrenches; Phillips Screwdriver

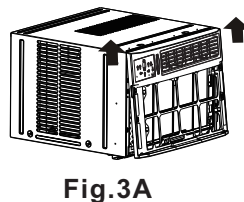
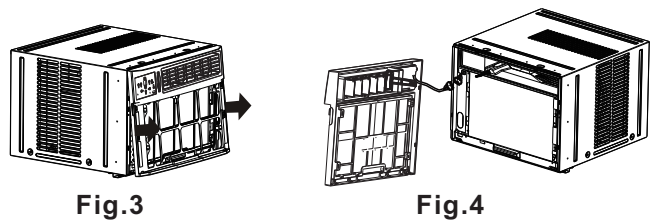
A.Window Mounting

1 Remove Chassis

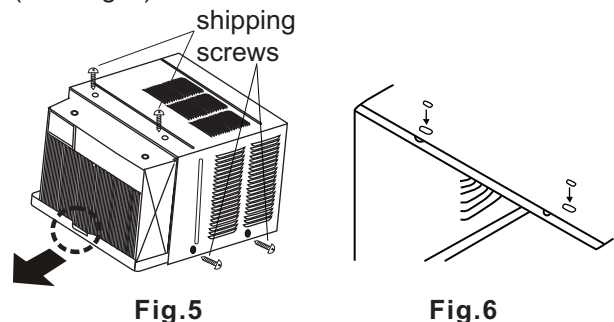
1. Pull down front grille and remove filter. (See Fig. 1).
2. Lift front grille upwards and place to one side.
3. Locate the four front screws and remove. These screws will be needed to re-install the front panel (see Fig.2).



4. Push metal cabinet side to release plastic tabs on each side of front panel (see Fig. 3).
5. Gently lift front panel off unit(see Fig.3A).
6. Disconnect the connector plug of the display panel from the unit and place front panel to one side(see Fig.4).



7. Remove shipping screws from top of unit and also on the side by the base if installed (see Fig.5).
8. Hold the cabinet while pulling on the base pan handle, and carefully remove the unit.
9. Add two foam inserts to holes in top of cabinet where shipping screws were removed from (see Fig.6).



INSTALLATION INSTRUCTIONS

10. Your unit may come with internal packaging. This packaging must be removed prior to installing the air conditioner back into the cabinet. (see Fig.7).

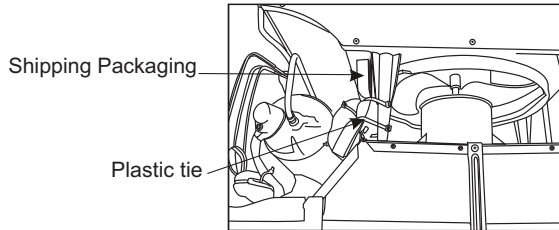


Fig.7

2 Install Top Angle and Side Bracket

1. Attach foam gasket to top angle above holes as shown in Fig.6.
2. Install top angle and side retainers to cabinet as shown in Fig.8 (10 screws).

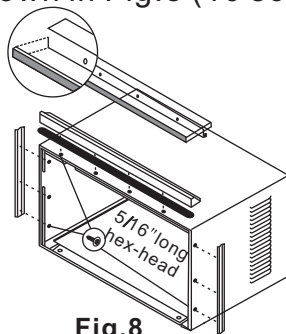


Fig.8

3 Assemble Window Filler Panels

1. Place cabinet on floor, a bench, or a table.
2. Slide "I" section of window filler panel into side retainer on the side of the cabinet (see Fig.9 & Fig.10). Do both sides.

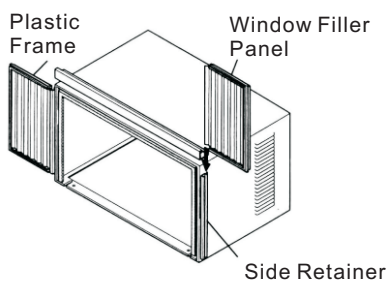


Fig.9

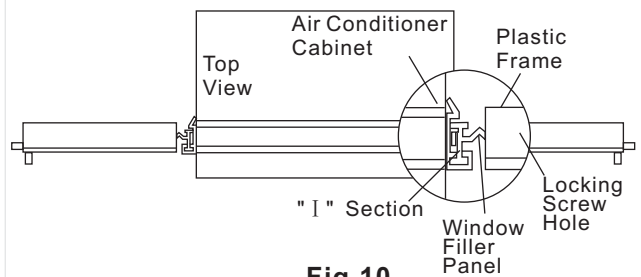


Fig.10

3. Insert top and bottom legs of window filler panel frame into channel in the top angle and bottom rail. Do both sides.
4. Insert washer head locking 7/16" screws (2) into holes in top leg of filler panel frame (see step 6). Do not totally tighten. Allow leg to slide freely. Screws will be tightened after section 6.

4 Place Cabinet in

1. Open window and mark center of window stool as shown (Fig.11).
2. Place cabinet in window with bottom stool angle firmly seated over window stool as shown. Bring window down temporarily behind top angle to hold cabinet in place (Fig.12).

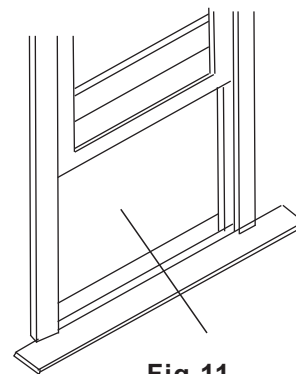


Fig.11

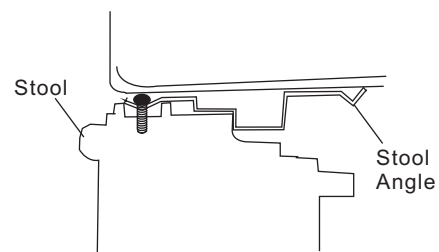


Fig.12

3. Shift cabinet left or right as needed to line up center of cabinet on center line marked on stool.
4. Fasten cabinet to window stool with 2 screws into holes (You may wish to pre-drill pilot holes).
5. Add bottom rail seal over screws to window stool.

INSTALLATION INSTRUCTIONS

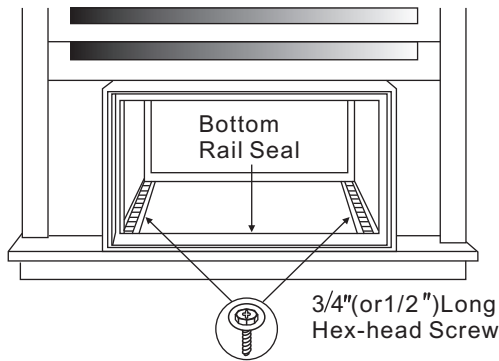


Fig. 13

5 Install Support Bracket

1. Hold each support bracket flush against outside of sill, and tight to bottom of cabinet as shown in Fig. 15A. Mark brackets at top level of sill, and remove.
2. Assemble sill angle bracket to support brackets at the marked position (Fig. 15B). Hand tighten, but allow for any changes later.

NOTE: Check that air conditioner is tilted back about $1\frac{1}{4}$ " to $1\frac{5}{8}$ " (tilted about 3° to 4° downward to the outside). After proper installation, condensate should not drain from the overflow drain hole during normal use, correct the slope otherwise (Fig. 14).

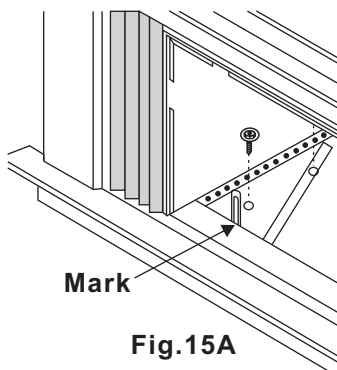
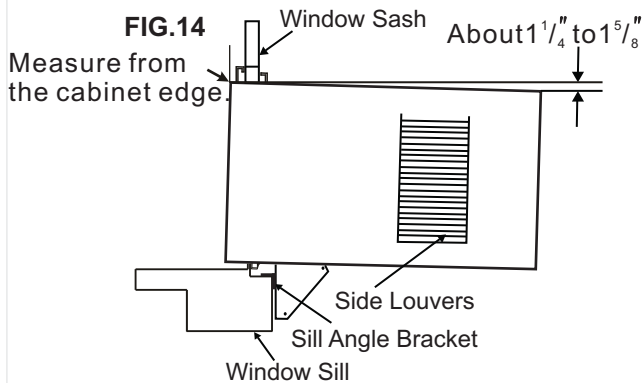


Fig. 15A

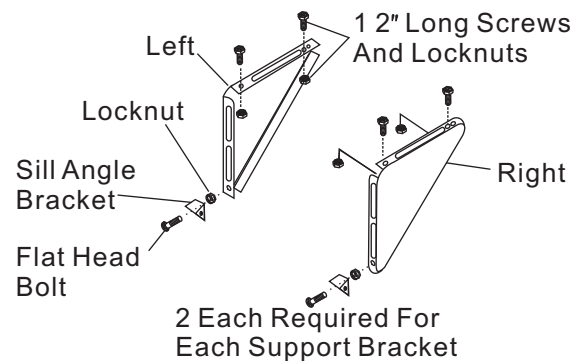


Fig. 15B

3. Install support brackets (with sill angle brackets attached) to correct hole in bottom of cabinet as shown in Fig. 16.
4. Tighten all 6 bolts securely.

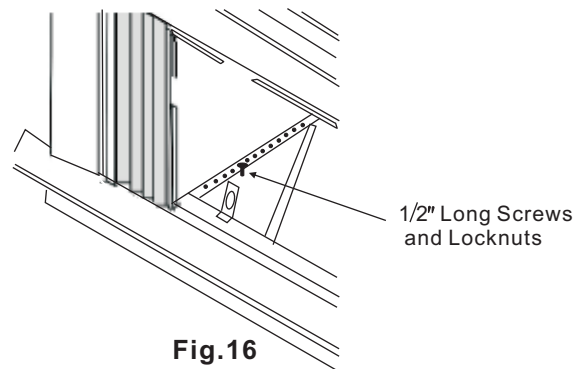


Fig. 16

6 Extend Window Filler Panels

1. Carefully raise window to expose filler panel locking screws. Loosen screws so filler panels slide easily.
2. Extend panels to fill window opening completely. Tighten locking screws on top (Fig. 17).
3. Close window behind top angle.

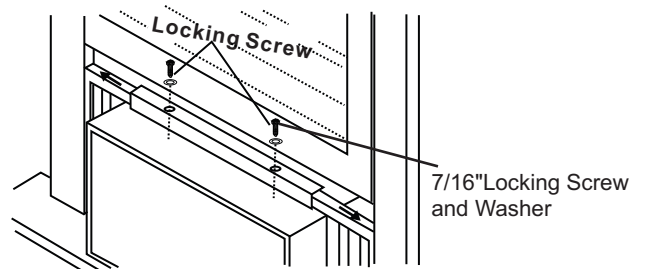
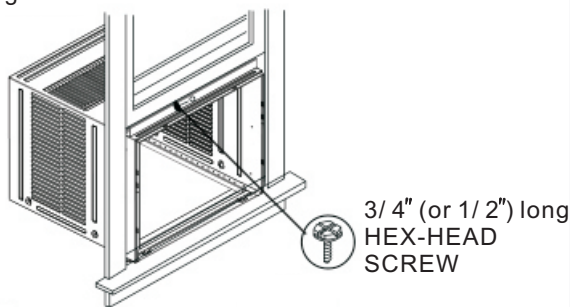


Fig. 17

INSTALLATION INSTRUCTIONS

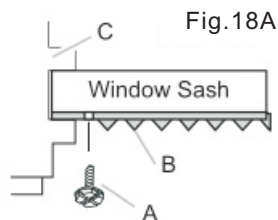
4. Attach the top angle to window frame: Use a $3/32$ " drill bit to drill one hole through the hole in the middle of top angle into the window frame, and drive one $3/4$ " (or $1/2$ ") HEX-HEAD locking screw through hole in the middle of top angle into the window frame as shown (Fig.17A).

Fig.17A

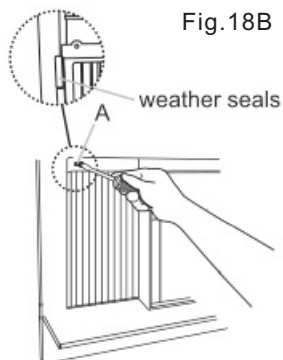


7 Attach Window Filler Panels to Window Frame

1. Extend the window filler panels out against the window frame.
2. Use a $1/8$ " drill bit to drill a starter hole through the hole in the top leg of each window filler panel and into the window sash (Fig. 18A and Fig. 18B). Connect with one $3/4$ " (or $1/2$ ") long hex head screw.



- A. $3/4$ " (or $1/2$ ") long hex head screw
B. Left-hand Window Filler Panel Top Leg
C. Window channel



8 Install Window Sash Seal and Safety Lock

1. Trim sash seal to fit window width. Insert into space between upper and lower sashes (Fig.18).

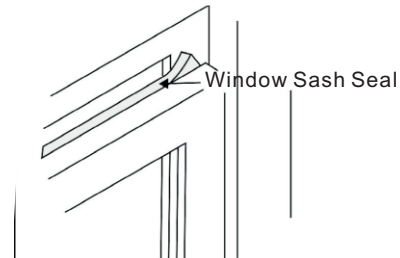


Fig.18

2. Attach right angle safety lock (Fig.19).

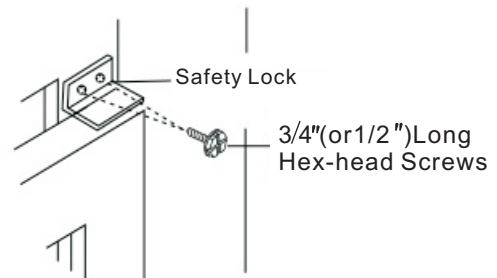


Fig.19

9 Install Chassis into Cabinet and Install Front to Unit

1. Lift air conditioner and carefully slide into cabinet leaving 6 inches protruding.
2. DO NOT push on controls or finned coils.
3. Be sure chassis is firmly seated towards rear of cabinet.
4. Installation of front is the reverse of removal outlined in Section 1.

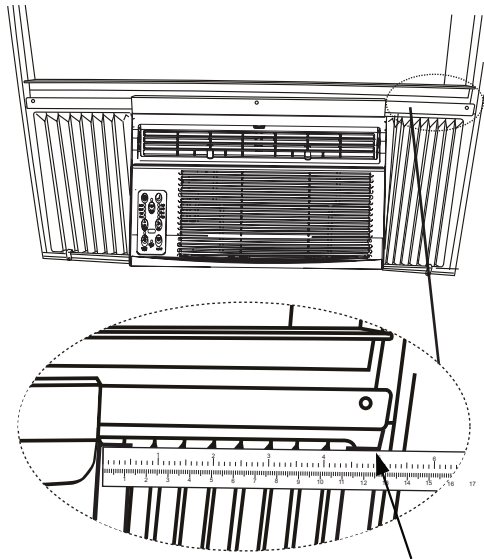
10 INSTALL R1 HARDWARE (only be applicable to Energy star models)

In order to minimize air leaks and ensure optimal insulation, it is necessary to install the included R1 hardware to the side curtain. Follow the instructions below.

Step 1. After the unit is installed to the window, measure the inner width of the side curtain as shown (Fig.20).

Step 2. Remark a line on the provide R1 insulation panel according to a length $1/8$ " (3mm) less than the measured width in step 1, then cut the R1 insulation panel along the line (Fig.12).

INSTALLATION INSTRUCTIONS



Measure the inner width of the side curtain

Fig.20

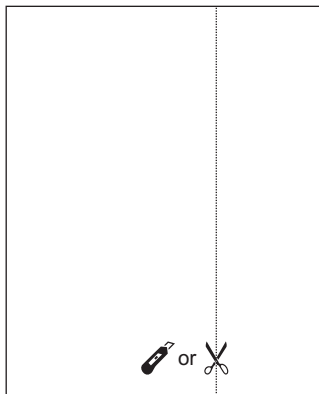


Fig.21

Step 3. Slide the R1 insulation panel into the side curtain, the side with pattern should facing the indoor side.(Fig.22).

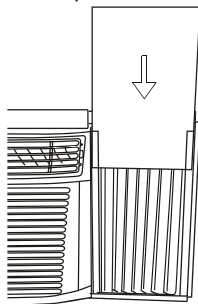


Fig.22

Step 4. Repeat on the other side.

11 INSTALL WEATHER STRIPPING (only be applicable to Energy star models)

In order to minimize air leaks between the room air conditioner and the window opening, trim the weather stripping with a proper length, peel off the protective backing and plug any gaps if needed (Fig.23).

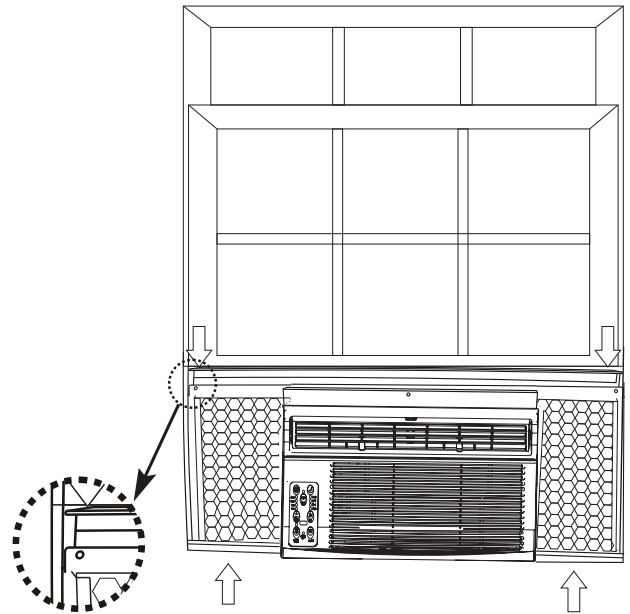


Fig.23

INSTALLATION INSTRUCTIONS

B.Thru-The-Wall Installation

NOTE: Consult local building codes prior to installation, or a qualified carpenter.

1 Select Wall Location

The air conditioner has a slide-out chassis, so that it can be installed through an outside wall as specified below:

Max. Wall thickness: 12" or 10"

IMPORTANT: Side louvers must never be blocked.

NOTE: All parts needed for Thru-The-Wall Installation are provided, except a wood frame, shims, and 10 wood screws (#10-1" long minimum).

Select a wall surface that:

1. does not support major structural loads such as the frame construction at ends of windows, and under truss-bearing points, etc.
2. does not have plumbing or wiring inside.
3. is near existing electrical outlets, or where another outlet can be installed.
4. faces, and is not blocked to the area to be cooled.
5. allows unblocked airflow from rear sides and end(outside) of installed air conditioner.

2 Prepare Wall

1. Prepare wall in frame construction (including brick and stucco veneer). Working from inside the room, find wall stud nearest the center of area where air conditioner will be installed (by sounding wall, or by magnetically finding nails).
2. Cut or knock out a hole on each side of center stud.
3. Measure between inside edges of every other stud as shown in Fig.1.

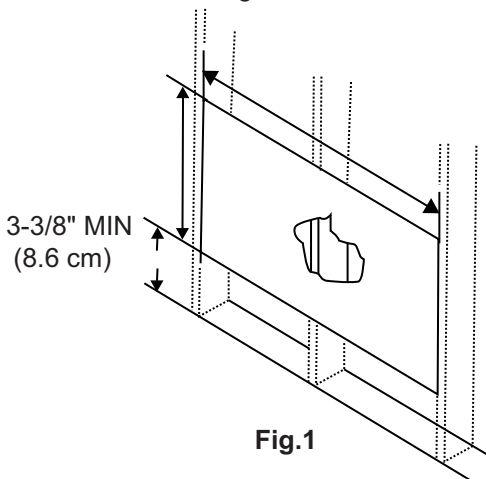


Fig.1

Carefully measure and cut an opening with the following dimensions depending on your model. See Fig.1 and Fig.2.

WIDTH "X" = inside model width plus twice the thickness of framing material used.

HEIGHT "Y" = inside model height plus twice the thickness of framing material used.

Inside Frame Height: 18-7/8"(47.9cm) or 18" (45.7cm)
Inside Frame Width: 26-3/4"(67.9cm) or 23-7/8"(60.6cm)

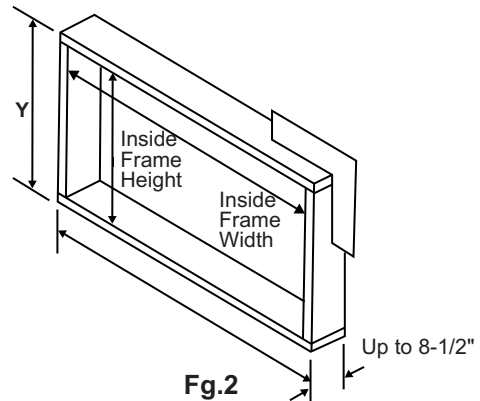


Fig.2

4. Build a wooden frame with the INSIDE dimensions of your model listed above. (Measure twice remember). Frame depth should be the same as wall thickness. Fill in the space from the opening to the studs with wood spacers, as shown.
5. Nail frame to spacers to spacers with front flush with drywall.

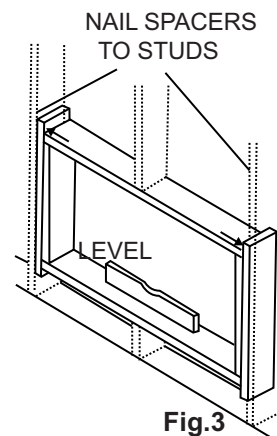


Fig.3

NOTE: If wall thickness is 8-1/2" or more, add aluminum flashing over bottom of frame opening to assure no water can enter area between inner and outer wall.

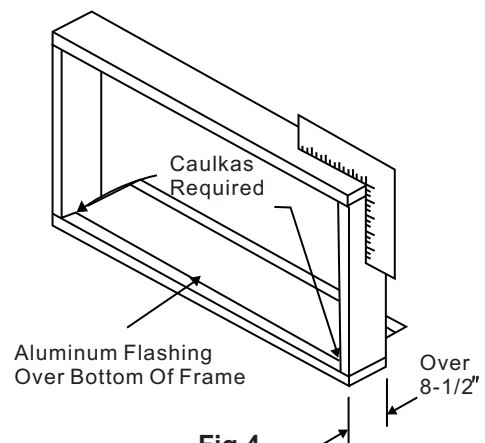


Fig.4

INSTALLATION INSTRUCTIONS

3 Prepare and Install Cabinet

1. Slide chassis from cabinet. Refer back to Step one of Window Mounting.
2. Place cabinet into opening with bottom rail resting firmly on bottom board of wooden frame.
3. Position cabinet to achieve proper slope for water removal. (See Fig.5 below.)
4. Secure bottom rail to wood frame with two large wood screws 1" (2.5cm) long using the two holes in the bottom of the channel resting on frame. (See Fig.6).

NOTE: Check that air conditioner is tilted back about $1\frac{1}{4}"$ to $1\frac{5}{8}"$ (tilted about 3° to 4° downward to the outside). After proper installation, condensate should not drain from the overflow drain hole during normal use, correct the slope otherwise (Fig.14).

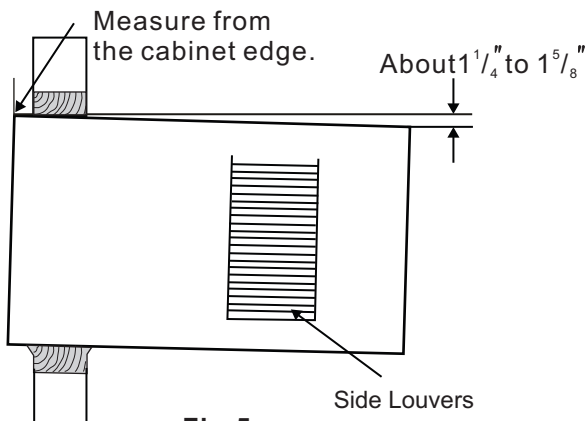


Fig.5

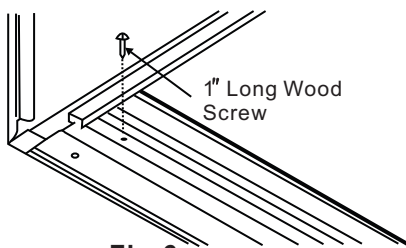


Fig.6

Refer to Step 5 of Window Mounting for assembly of support brackets. A wooden strip nailed to the outside wall should be used in conjunction with sill support angle brackets.

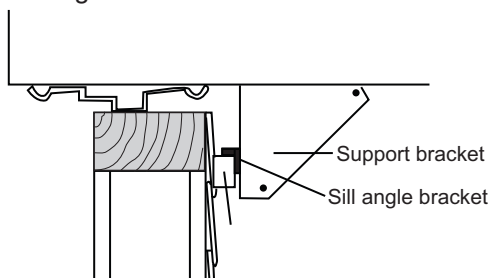


Fig.7

5. Screw or nail cabinet wooden frame using shims if frame is oversized, to eliminate distortion. See Fig.8. Remember to maintain proper slope as described in Step 3.

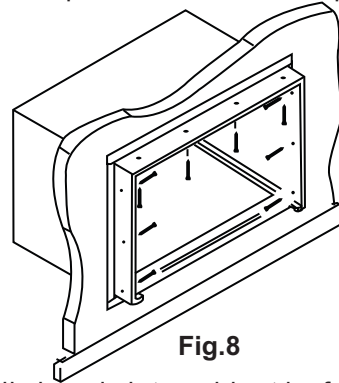


Fig.8

6. Install chassis into cabinet by following all steps in Step 8 of Window Mounting.

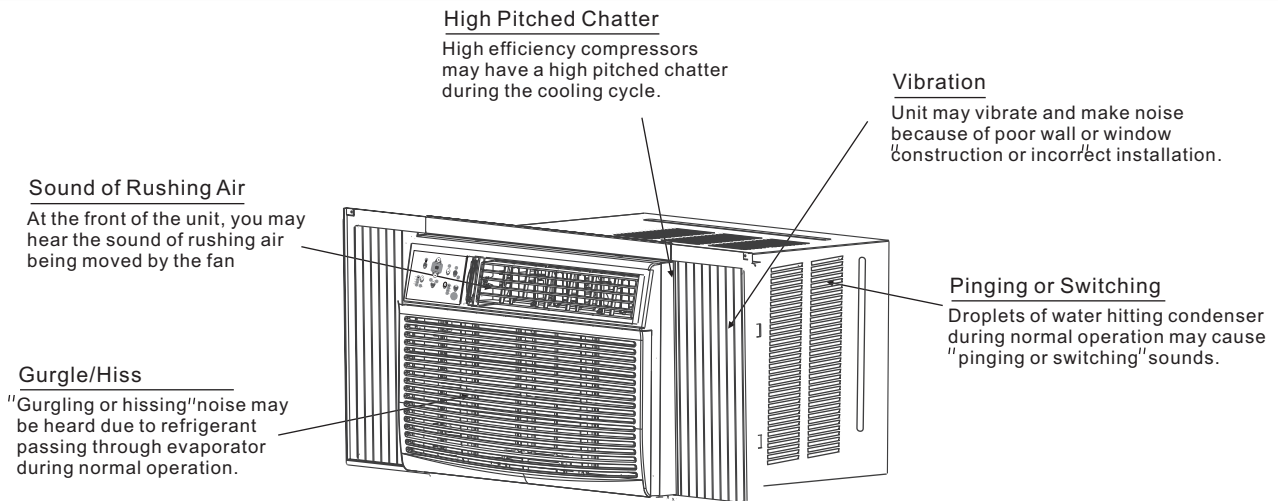
OPTIONAL: Caulking and installation of trim on interior wall may be done. You can buy wood from your local lumber or hardware supply. On the outside, caulk openings around top and sides of cabinet, and all sides of wood sleeve to the opening.

NOTE: See Step 5, Item 3 of Window Mounting Instructions for bottom rail seal location.

C.Masonry Construction

1. Cut or build a wall opening in the masonry wall similar to the frame construction (refer to Step 2 of Thru-the-wall Installation for a wall thickness greater than 8-1/2").
2. Secure cabinet in place using masonry nails, or the right masonry anchor screws. (Another way to do this is to build an in-between frame of 2x4's as shown in the Step 2 Prepare Wall illustrations-but make it double framed on either side, and install between masonry wall opening and cabinet. Frame must be securely anchored to masonry wall opening). This way gives very good louver clearance on either side of cabinet.
3. Install a lintel to support masonry wall above cabinet. Existing holes in cabinet can be used and/ or additional holes can be drilled to fasten cabinet at various positions. Be sure that side louver clearance is in accordance with Step 1 above.
4. Install exterior cabinet support brackets as shown in Step 2 of Thru-the-wall installation. Caulk or flash if needed, to provide a weather-tight seal around top and sides of cabinet.
5. To complete installation, apply wood trim molding around room side projection of cabinet.

NORMAL SOUNDS



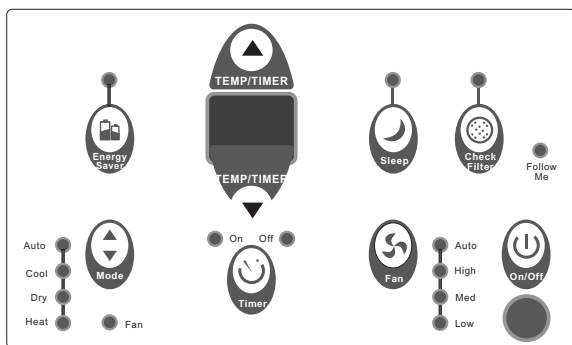
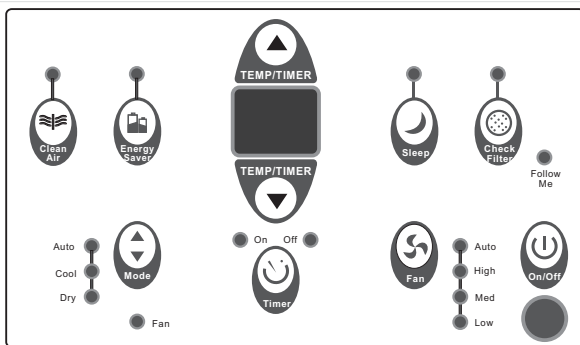
NOTE:

All the illustrations in this manual are for explanation purpose only. Your air conditioner may be slightly different. The actual shape shall prevail.

AIR CONDITIONER FEATURES

ELECTRONIC CONTROL OPERATING INSTRUCTIONS

Before you begin, thoroughly familiarize yourself with the control panel as shown below and all its functions, then follow the symbol for the functions you desire. **The unit can be controlled by the unit control alone or with the remote.**



TO TURN UNIT ON OR OFF:

Press **ON/OFF** button to turn unit on or off.

NOTE: The unit will initiate automatically the Energy Saver function under Cool, Dry, Auto (only Auto-Cooling and Auto-Fan) modes.

TO CHANGE TEMPERATURE SETTING:

Press **UP/DOWN** button to change temperature setting.


NOTE: Press or hold either UP (▲) or DOWN (▼) button until the desired temperature is seen on the display. This temperature will be automatically maintained anywhere between 62°F (17°C) and 86°F (30°C). If you want the display to read the actual room temperature, see To Operate on Fan Only section.

CLEAN AIR FEATURE: (on some models)


Press **Clean Air** button, the ion generator is energized and will help to remove pollen and impurities from the air, and trap them in the filter.

AIR CONDITIONER FEATURES


TO ADJUST FAN SPEEDS:

Press  to select the Fan Speed in four steps-Auto, Low, Med or High. Each time the button is pressed, the fan speed mode is shifted. For some models, the fan speed can not be adjusted under HEAT mode. On Dry mode, the fan speed is controlled at Low automatically.


SLEEP FEATURE:

Press  Sleep button to initiate the sleep mode. In this mode the selected temperature will increase (cooling) or decrease (heating) by 2°F/1(or 2)°C 30 minutes after the mode is selected. The temperature will then increase (cooling) or decrease (heating) by another 2°F/1(or 2)°C after an additional 30 minutes. This new temperature will be maintained for 6 hours before it returns to the originally selected temperature. This ends the Sleep mode and the unit will continue to operate as originally programmed. The Sleep mode program can be cancelled at any time during operation by pressing the Sleep button again.

CHECK FILTER FEATURE:

Press  Check filter button to initiate this feature. This feature is a reminder to clean the Air Filter for more efficient operation. The LED(light) will illuminate after 250 hours of operation. To reset after cleaning the filter, press the Check Filter button and the light will go off.

ENERGY SAVER FEATURE:

Press  Energy saver button to initiate this function. This function is available on COOL, DRY, AUTO (only AUTO-COOLING and AUTO-FAN) modes. The fan will continue to run for 3 minutes after the compressor shuts off. The fan then cycles on for 2 minutes at 10 minute intervals until the room temperature is above the set temperature, at which time the compressor turns back on and Cooling Starts.

FOLLOW ME FEATURE:(on some models)




Light flashing

This feature can be activated from the remote control ONLY. The remote control serves as a remote thermostat allowing for the precise temperature control at its location.

To activate the Follow Me feature, point the remote control towards the unit and press the Follow Me button. The remote display is actual temperature at its location. The remote control will send this signal to the air conditioner every 3 minutes interval until press the Follow Me button again. If the unit does not receive the Follow Me signal during any 7 minutes interval, the unit will beep to indicate the Follow Me mode has ended.

TO SELECT THE OPERATING MODE:

To choose operating mode, press  Mode button. Each time you press the button, a mode is selected in a sequence that goes from Auto, Cool, Dry, heat (cooling only models without) and Fan. The indicator light beside will be illuminated and remained on once the mode is selected.

The unit will initiate automatically the Energy Saver function under Cool, Dry, Auto (only Auto-Cooling and Auto-Fan) modes.

To operate on Auto feature:

- When you set the air conditioner in AUTO mode, it will automatically select cooling, heating (cooling only models without), or fan only operation depending on what temperature you have selected and the room temperature.
- The air conditioner will control room temperature automatically round the temperature point set by you.
- In this mode, the fan speed cannot be adjusted, it starts automatically at a speed according to the room temperature.


To operate on Fan Only:

- Use this function only when cooling is not desired, such as for room air circulation or to exhaust stale air (on some models). (Remember to open the vent during this function, but keep it closed during cooling for maximum cooling efficiency.) You can choose any fan speed you prefer.
- During this function, the display will show the actual room temperature, not the set temperature as in the cooling mode.
- In Fan only mode, the temperature is not adjusted.

To operate on Dry mode:

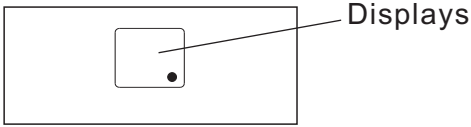
- In this mode, the air conditioner will generally operate in the form of a dehumidifier. Since the conditioned space is a closed or sealed area, some degree of cooling will continue.

TIMER: AUTO START/STOP FEATURE:

- When the unit is on or off, first press  Timer button, the TIMER ON indicator light illuminates. It indicates the Auto Start program is initiated.
- When the time of TIMER ON is displayed, press the Timer button again, the TIMER OFF indicator light illuminates. It indicates the Auto Stop program is initiated.
- Press or hold the UP or DOWN button to change the Auto time by 0.5 hour increments, up to 10 hours, then at 1 hour increments up to 24 hours. The control will count down the time remaining until start.
- The selected time will register in 5 seconds, and the system will automatically revert back to display the previous temperature setting or room temperature when the unit is on. (when the unit is off, there is no display.)
- Turning the unit ON or OFF at any time or adjusting the timer setting to 0.0 will cancel the Auto Start/Stop timed program.

AIR CONDITIONER FEATURES

DISPLAYS:



DISPLAYS:

Shows the set temperature in " °C" or " °F" and the Auto-timer settings. While on Fan only mode, it shows the room temperature.

Error codes:

AS-Room temperature sensor error-Unplug the unit and plug it back in.If error repeats, call for service.
NOTE:In Fan only mode,it will display "LO" or "HI" .

- -Evaporator temperature sensor error-Unplug the unit and plug it back in.If error repeats, call for service.
NOTE: "•" is displayed as shown in the left picture.

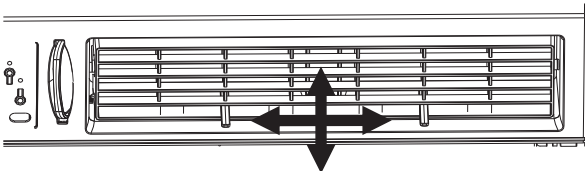
HS -Electric heating sensor error-Unplug the unit and plug it back in.If error repeats, call for service.

NOTE:

If the unit breaks off unexpectedly due to the power cut, it will restart with the previous function setting automatically when the power resumes.

Air Directional Louvers

Air Directional Louvers



Air Direction(4- way)

The 4-way air directional louvers allow you to direct the air flow Up or Down(on some models) and Left or Right throughout the room as needed. To adjust the air directional louvers side-to-side, use the center handles as you move it side-to-side.

ADDITIONAL THINGS YOU SHOULD KNOW

Now that you have mastered the operating procedure, here are more features in your control that you should become familiar with.

- The Cool circuit has an automatic 3 minute time delayed start if the unit is turned off and on quickly. This prevents overheating of the compressor and possible circuit breaker tripping. The fan will continue to run during this time.
- The control is capable of displaying temperature in degrees Fahrenheit or degrees Celsius. To convert from one to the other, press and hold the Left and Right Temp/Timer buttons at the same time, for 3 seconds.

Fresh Air Vent Control

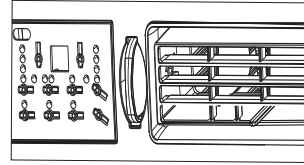


Fig. A (VENT CLOSED)

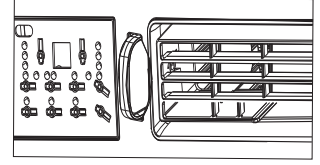


Fig. B (VENT OPEN)

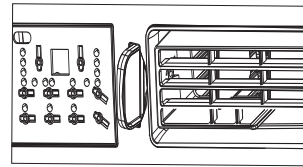


Fig. C (VENT & EXHAUST³ OPEN)

The Fresh Air Vent allows the air conditioner to:

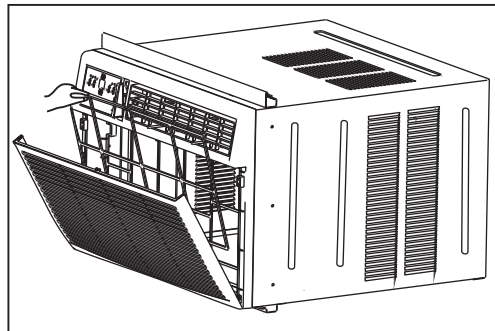
1. Recirculate inside air - Vent Closed (See Fig.A)
2. Draw fresh air into the room- Vent Open (see Fig.B)
3. Exchange air from the room and draws fresh air into the room - Vent and Exhaust Open (see Fig.C)

CARE AND CLEANING

CAUTION

Clean your air conditioner occasionally to keep it looking new. **Be sure to unplug the unit before cleaning to prevent shock or fire hazards.**

Air Filter Cleaning



The air filter should be checked at least once a month to see if cleaning is necessary. Trapped particles in the filter can build up and cause an accumulation of frost on the cooling coils.

CARE AND CLEANING

Air Filter Cleaning

- Push the vent handle to the Vent Closed position (where applicable). Open the front panel.
- Take the filter by the center and pull up and out.
- Wash the filter using liquid dishwashing detergent and warm water. Rinse filter thoroughly. Gently shake excess water from the filter. Be sure the filter is thoroughly dry before replacing. Or, instead of washing you may vacuum the filter clean.

Note: Never use hot water over 40°C(104°F) to clean the air filter. Never attempt to operate the unit without the air filter.

Cabinet Cleaning

- Be sure to unplug the air conditioner to prevent shock or fire hazard. The cabinet and front may be dusted with an oil-free cloth or washed with a cloth dampened in a solution of warm water and mild liquid dishwashing detergent. Rinse thoroughly and wipe dry.
- Never use harsh cleaners, wax or polish on the cabinet front.
- Be sure to wring excess water from the cloth before wiping around the controls. Excess water in or around the controls may cause damage to the air conditioner.
- Plug in air conditioner.

Winter Storage

If you plan to store the air conditioner during the winter, remove it carefully from the window according to the installation instructions. Cover it with plastic or return it to the original carton.

TROUBLESHOOTING TIPS

Before calling for service, review this list. It may save your time and expense. This list includes common occurrences that are not the result of defective workman-ship or materials in this appliance.

Problem	Solution
Air conditioner does not start	<i>Wall plug disconnected. Push plug firmly into wall outlet.</i>
	<i>House fuse blown or circuit breaker tripped. Replace fuse with time delay type or reset circuit breaker.</i>
	<i>Plug Current Device Tripped. Press the RESET button.</i>
	<i>Power is OFF. Turn power ON.</i>
Air from unit does not feel cold enough	<i>Room temperature below 62°F(17°C). Cooling may not occur until room temperature rises above 62°F(17°C).</i>
	<i>Temperature sensing behind air filter element touching cold coil. Keep it from the cold coil.</i>
	<i>Set to a Lower temperature.</i>
	<i>Compressor stopped when changing modes. Wait for 3 minutes after set to the COOL mode.</i>
Air conditioner cooling, but room is too warm- ice forming on cooling coil behind decorative front.	<i>Outdoor temperature below 64°F(18°C). To defrost the coil, set FAN ONLY mode.</i>
	<i>Air filter may be dirty. Clean filter. Refer to Care and Cleaning section. To defrost, set to FAN ONLY mode.</i>
	<i>Thermostat set too cold for night-time cooling. To defrost the coil, set to FAN ONLY mode. Then, set temperature to a Higher setting.</i>

TROUBLESHOOTING TIPS

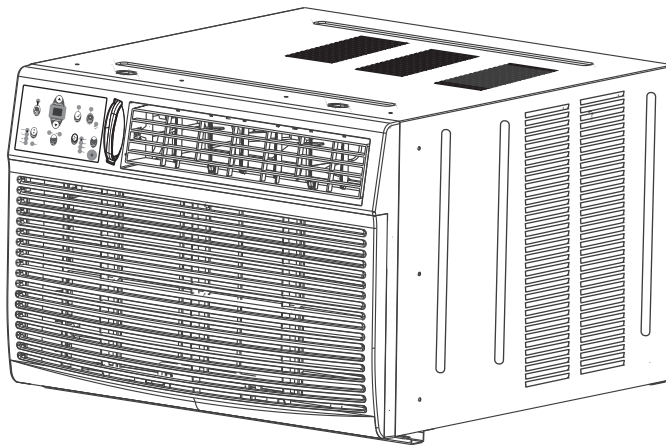
Problem	Solution
Air conditioner cooling, but room is too warm- NO ice forming on cooling coil behind decorative front.	<i>Dirty air filter- air restricted. Clean air filter. Refer to Care and Cleaning section.</i>
	<i>Temperature is set too High, set temperature to a Lower setting.</i>
	<i>Air directional louvers positioned improperly. Position louvers for better air distribution.</i>
	<i>Front of units is blocked by drapes, blinds, furniture, etc. - restricts air distribution. Clear blockage in front of unit.</i>
	<i>Doors, windows, registers, etc. Open- cold air escapes. Close doors, windows, registers.</i>
	<i>Unit recently turned on in hot room. Allow additional time to remove " Stored heat" from walls, ceiling, floor and furniture.</i>
Air conditioner turns on and off rapidly	<i>Dirty air filter- air restricted. Clean air filter.</i>
	<i>Outside temperature extremely hot. Set FAN speed to a Higher setting to bring air past cooling coils more frequently.</i>
Noise when unit is cooling	<i>Air movement sound. This is normal . If too loud, set to a slower FAN setting.</i>
	<i>Window vibration - poor installation. Refer to installation instructions or check with installer.</i>
Water dripping INSIDE when unit is cooling.	<i>Improper installation. Tilt air conditioner slightly to the outside to allow water drainage. Refer to installation instructions - check with installer.</i>
Water dripping OUTSIDE when unit is cooling.	<i>Unit removing large quantity of moisture from humid room. This is normal during excessively humid days.</i>
Remote Sensing Deactivating Prematurely (some models)	<i>Remote control not located within range. Place remote control within 20 feet & 180°, radius of the front of the unit.</i>
	<i>Remote control signal obstructed. Remove obstruction.</i>
Room too cold	<i>Set temperature too low. Increase set temperature.</i>

The design and specifications are subject to change without prior notice for product improvement. Consult with the sales agency or manufacturer for details.

AIRE ACONDICIONADO DEL CUARTO DEL TIPO DE VENTANA / PARED

Keystone™

MANUAL DEL USUARIO



Model: KSTAW15C
KSTAW18C
KSTAW25C

TABLA DE CONTENIDO

Instrucciones importantes de seguridad.....	1-3	Rasgo de aire acondicionado.....	18-20
Soluciones para instalación.....	4-17	Cuidado y limpio.....	20-21
Normales Sonidos.....	18	Consejo de solución para problemas.....	21-22
		Plazo De Garantía.....	23





Antes de usar su aire acondicionado, por favor lea
este manual con mucho cuidado y guardelo para la referencia futura.

INSTRUCCIONES IMPORTANTES DE LA SEGURIDAD


Lea este manual

Dentro de este manual podría encontrar muchos consejos ayudables diciendo cómo usar y mantener su aire acondicionado correctamente. Le cuesta un poco de cuidado antes, le ahorrará mucho tiempo y dinero en su aire acondicionado. Puede encontrar muchas respuestas a los problemas comunes en el cuadro de las soluciones de problemas. Si lee nuestro cuadro de las soluciones de problemas primero, quizá no será necesario llamar por servicio.

Para evitar los daños a los usuarios u otra persona, deben seguir las instrucciones siguientes. Las operaciones incorrectas por la ignorancia de las instrucciones pueden causar lesiones o daños. El grado de seriedad está clasificado por lo que indica siguiente.

 WARNING	Este símbolo indica la posibilidad de muerte o lesiones graves.		
 CAUTION	Este símbolo indica la posibilidad de lesiones o daños a la propiedad.		
	Nunca lo hace.		Siempre hacerlo.

WARNING

<p> Encúfalo en el enchufe adecuadamente</p> <ul style="list-style-type: none"> ● Si no, podría causar una descarga eléctrica o incendio por la generación del calor. 	<p> No la enciende o apaga la unidad con la manera de meter o tirar su calbe en la encufa.</p> <ul style="list-style-type: none"> ● Podría causar una descarga eléctrica por la generación del calor 	<p> No lo hace daño o usar un cable eléctrico sospechoso.</p> <ul style="list-style-type: none"> ● Podría causar descarga eléctrica o incendio. ● Si el cable eléctrico está dañado, para evitar el peligro, debe reemplazarlo por un fabricante o un servicio autorizado o unidad con cualificación similar.
<p> Siempre instala el interruptor y un circuito de potencia dedicado.</p> <ul style="list-style-type: none"> ● La instalación incorrecta podría causar incendio o descarga eléctrica. 	<p> No lo maneje con las manos mojados o en un ambiente húmedo.</p> <ul style="list-style-type: none"> ● Podría causar una descarga eléctrica. 	<p> No dirige el flujo del aire solamente a un ocupante de la habitación.</p> <ul style="list-style-type: none"> ● Podría hacer daños a su salud.
<p> Siempre asegúrese que está puesto a una tierra eficaz.</p> <ul style="list-style-type: none"> ● La tierra incorrecto podría causar una descarga eléctrica. 	<p> No permite entrar el agua en las piezas eléctricas.</p> <ul style="list-style-type: none"> ● Podría causar un fallo de esta máquina o una descarga eléctrica. 	<p> No modifique la longitud del cable eléctrica ni compartiri el enchufe con otros aparatos.</p> <ul style="list-style-type: none"> ● Podría causar una descarga eléctrica o incendio por la generación del calor.
<p> Si emite sonido, olor o humo extraño, desenchuúfelo.</p> <ul style="list-style-type: none"> ● Podría causar incendio u descarga eléctrica. 	<p> No lo usa el enchufe si está suelto o dañado.</p> <ul style="list-style-type: none"> ● Podría causar incendio u descarga eléctrica. 	<p> No la abre la unidad durante su operación.</p> <ul style="list-style-type: none"> ● Podría causar descarga eléctrica.
<p> Mantener las armas de fuego lejos.</p> <ul style="list-style-type: none"> ● Podría causar incendio. 	<p> No lo use el cable electrico que está cerca de los aparatos de calefacciones.</p> <ul style="list-style-type: none"> ● Podría causar incendio y una descarga eléctrica. 	<p> No lo usa el cable electrico cerca de gas inflamable o combustibles, como gasolina, benceno, disolvente, etc.</p> <ul style="list-style-type: none"> ● Podría causar una explosión o incendio.
<p> Ventile la habitación antes de operar el aire acondicionado si hay una fuga de gas desde otros aparatos.</p> <ul style="list-style-type: none"> ● Podría causar una explosion, incendio y quemaduras. 	<p> No desmonte ni modifique la unidad.</p> <ul style="list-style-type: none"> ● Podría causar fallo y descarga eléctrica. 	

INSTRUCCIONES IMPORTANTES DE LA SEGURIDAD

CAUTION

- | | | |
|--|---|--|
| <ul style="list-style-type: none">⊗ Cuando el filtro del aire está eliminado, no la toca las partes metálicas de la unidad. <ul style="list-style-type: none">● Podría causar una lesión. | <ul style="list-style-type: none">⊗ No lo guarda una mascot o planta donde sera expuesto al flujo del aire directo. <ul style="list-style-type: none">● Podría hacer daño a su mascot o planta. | <ul style="list-style-type: none">⊕ Ventile bien la habitación cuando se utilize junto con una estufa, etc. <ul style="list-style-type: none">● Podría ocurrir la escasez de oxígeno. |
| <ul style="list-style-type: none">⊗ No utilice detergente fuerte como cera o algo más delgado, sino usa un paño suave. <ul style="list-style-type: none">● La apariencia podría deteriorarse por el cambio del color del producto u arañazos en su superficie. | <ul style="list-style-type: none">⊗ No lo limpie el aire acondicionado con agua. <ul style="list-style-type: none">● El agua podría entrar en la unidad y disminuir la aislación. Podría causar una descarga eléctrica. | <ul style="list-style-type: none">⊗ No lo usa para fines especiales. <ul style="list-style-type: none">● No lo use este aire acondicionado a conservar dispositivos de precisión, alimentos, mascotas, plantas y objetos artistas. Podría causar deterioro de su calidad, etc. |
| <ul style="list-style-type: none">⊕ Detenga el funcionamiento y cierre la ventana en la tormenta o huracán. <ul style="list-style-type: none">● La operación con la ventana abierta podría causar humedecimiento y remojo de muebles dentro de la casa. | <ul style="list-style-type: none">⊕ Cuando la unidad se va a limpiar, apague y desconecte el disyuntor. <ul style="list-style-type: none">● No la limpie la unidad cuando está encendido porque podría causar incendio y una descarga eléctrica, lo cual produciría lesiones. | <ul style="list-style-type: none">⊕ Asegúrese de que el soporte de la instalación del aparato al aire libre no está dañado por una exposición prolongada. <ul style="list-style-type: none">● Si el soporte está dañado, podría producir daños por el fallo de la unidad. |
| <ul style="list-style-type: none">⊕ Siempre inserte el filtro correctamente. Limpie el filtro una vez cada dos semanas. <ul style="list-style-type: none">● La operación sin filtro podría causar fallo. | <ul style="list-style-type: none">⊕ Sujete la clavija por la cabeza de la clavija de alimentación cuando la saque. <ul style="list-style-type: none">● Podría causar descarga eléctrica y daños. | <ul style="list-style-type: none">⊕ Apague el interruptor principal de la alimentación cuando la unidad ni hace ruido un largo tiempo. <ul style="list-style-type: none">● Podría causar fallo del product o incendio. |
| <ul style="list-style-type: none">⊗ No coloque obstáculos en alrededor de la entrada de aire o dentro de la salida del aire. <ul style="list-style-type: none">● Podría causar fallos de aplicación o accidente. | <ul style="list-style-type: none">⊗ No coloque objetos pesados sobre el cable electrico y asegúrese que el cable no está comprimido. <ul style="list-style-type: none">● Podría causar fallos de aplicación o accidente. | <ul style="list-style-type: none">⊗ No beba el agua drenada del aire acondicionado. <ul style="list-style-type: none">● Contiene producir contaminación y podría hacerle enfermo. |
| <ul style="list-style-type: none">⊕ Tenga cuidado al desembalar e instalarlo. Su bordes afilados podrían provocar lesiones. | <ul style="list-style-type: none">⊕ Si entra agua en la unidad, apágue la energía fuera y apague el disyuntor. Aisla el suministro mediante la tira de su calbe energetic y contactelo a un servicio técnico cualificado. | |

CAUTION

- Este aparato no está diseñado para ser utilizado por las personas (incluso los niños) con capacidad reducida o falta de experiencia o los conocimientos físicos, sensoriales o mentales, a menos que sean enseñado o instruidos el uso del aparato por la gente responsable se su seguridad.
- Los niños deben ser supervisados para asegurar que no lo jueguen con el aparato.
- Si el cable electrico está dañado, debe ser reemplazado por un fabricante, agente de servicio o personas cualificados para evitar peligro.
- El aparato debe ser instalado de acuerdo con reglas escritas nacionales.
- No lo utilice el aire acondicionado en una habitación mojada como el baño o lavandería.
- Este aparato con su calentador electrico deben tener al menos 1 metro lejos a los materials combustibles.
- Póngase en contacto con el servicio técnico autorizado para la reparación o mantenimiento de esta unidad.
- Póngase en contacto con el instalador autorizado para la instalación de esta unidad.

INSTRUCCIONES IMPORTANTES DE LA SEGURIDAD

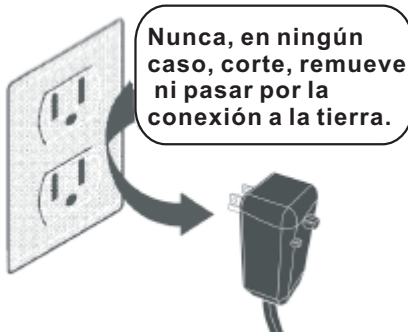
NOTA:

El cable de energía con el aire acondicionado contienen un dispositivo de detección de corriente, lo cual está diseñado para reducir el riesgo de incendio. Por favor consulte la sección de Operación del dispositivo de Corriente los detalles. En el caso que el cable de energía está dañado, no puede ser reparado, debe reemplazarlo por un cable del Fabricante del Producto.

WARNING

Evita el incendio o descarga eléctrica. No utilice cable de extensión ni enchufe adoptado. No remueve ninguna clavaja del cable de energía.

Varada Tipo Pared Receptáculo



El cable de energía con conexión a tierra de 3 patas y un dispositivo de detección de corriente.

WARNING

Para su seguridad

No guarda o usar gasolina u otros vapors y líquidos inflamables en la proximidad de este o cualquier otro electrodoméstico.

WARNING

Evitar accidentes

Para reducir el riesgo de incendio, descarga eléctrica o lesiones a la gente cuando usted usa el aire acondicionado, siga las precauciones básicas, incluyendo las siguientes:

- Asegúrese de que el servicio eléctrico sea adecuado para el modelo elegido. Esta información podría ser encontrado en este serie de placas, los cuales están situado en un lado del armario y detrás de la rejilla.
- Si el aire acondicionado va a ser instalado en una ventana, quizá quiere limpiar ambos lados de los vidrios primero. Si la ventana es un tipo de triple pista con un panel de pantalla incluido, remueva la pantalla completamente antes de la instalación.
- Asegúrese de que el aire acondicionado está instalado a una manera segura y correcta según las instrucciones de instalación en este manual. Guarda este manual para quitar lo intalarlo en el future.
- Al manipular el aire acondicionado, tenga cuidado para evitar cortes de las aletas metálicas afiladas en los serpentines frontales y traseros.

WARNING

Información Eléctrica

Las especificaciones eléctricas completas de su nuevo aire acondicionado de la habitación está indicada en el serie de placa. Consulte a las especificaciones cuando comproba los requisitos eléctricos:

- Asegúrese de que al aire acondicionado está puesto bien. Para minimizar los riesgos de choque eléctrico e incendio, es muy important ponerlo bien. El cable de energía está equipado con un enchufe de 3 clavijas conectado a la tierra para protección contra posibles descargas eléctricas.
- Su aire acondicionado debe ser utilizado en una manera correcta puesta en la tierra. Si el tomacorriente que pretende usar no está adecuadamente conectado a tierra o protegido por un fusible de retard o un interruptor de circuito, pida a un electricista calificado que instale el tomacorriente adecuado. Asegúrese de que el recipiente sea accesible después de la instalación de la unidad.
- No funciona el aire acondicionado sin cubierta protectora lateral. Este podría resultar daño mecánico dentro del aire acondicionado.
- **No utilice un cable de extensión ni un adaptador**

Operación de Dispositivos de Corriente (Sólo aplicable a la unidad que adopta dispositivo de detección de corriente)

El cable de energía contiene un dispositivo que detecta daños en el cable eléctrico. Para comprobar su cable eléctrico sigue los siguientes:

1. Enchufe el aire acondicionado.
2. El cable de suministro de corriente tundra dos botones en el enchufe. Pulse el botón de TEST, le darás cuanta de un clic cuando el botón TEST salta.
3. Pulse el botón RESET, vuelve a ver un clic cuando el botón activa.
4. El cable de suministro de corriente ahora suministra la electricidad a la unidad. (En algunos productos este también está indicado por una luz en la cabeza del enchufe.)

NOTA:

- No utilice este dispositivo a encender o apagar la unidad.
- Siempre asegúrese de que el botón RESET está presionado bajo una operación correcta.
- La fuente de corriente debe ser reemplazado si falle a restablecerlo ni con el botón TEST o RESET. Se puede obtener un nuevo del fabricante del producto. Si el cable de energía está dañado, no puede ser reparado.
- DEBE ser reemplazado por uno obtenido del fabricante del producto.

NOTA: Este aire acondicionado es diseñado para funcionar bajo las siguientes condiciones:

Funcionamiento de enfriamiento	Temperatura fuera:	64-109°F/18-43°C (64-125°F/18-52°C Para los modelos tropicales especiales)
	Temperatura interior:	62-90°F/17-32°C
Funcionamiento de calefacción	Temperatura fuera:	23-76°F/-5-2°C
	Temperatura interior:	32-80°F/0-27°C

Nota: Su rendimiento podría reducir fuera de estas temperaturas operativas.

INSTRUCCIONES DE INSTALACIÓN

STOP ANTES DE EMPEZAR

Lea esta instrucción completamente y con mucho cuidado.

IMPORTANTE- Guarda esta instrucción en un lugar del insperctor o el usuario.

IMPORTANTE- Consulte todos los códigos y ordenanzas vigentes.

Nota para instalar- Asegúrese de dejar las instrucciones al cliente.

Nota para el cliente- Guarda la instrucción para el uso futuro.

Nivel de habilidad- Para instalarla requiere una habilidad básica mecánica.

Plazo de ejecución- Aproximadamente 1 horas.

Le recomendamos que dos personas lo instalen..

Una instalación correcta es la responsabilidad del instalador.

El fallo del product por una instalación incorrect no está incluido en la garantía.

DEBE usar todas las partes suministradas y los productos de instalación correctamente según la descripción en la instrucción cuando instala esta aire acondicionado.

ADVERTENCIA

No bajo ninguna circunstancia corte o remueva la tercera púa (tierra) del cable de alimentación.

No cambie el enchufe del cable de alimentación del aparato de aire acondicionado.

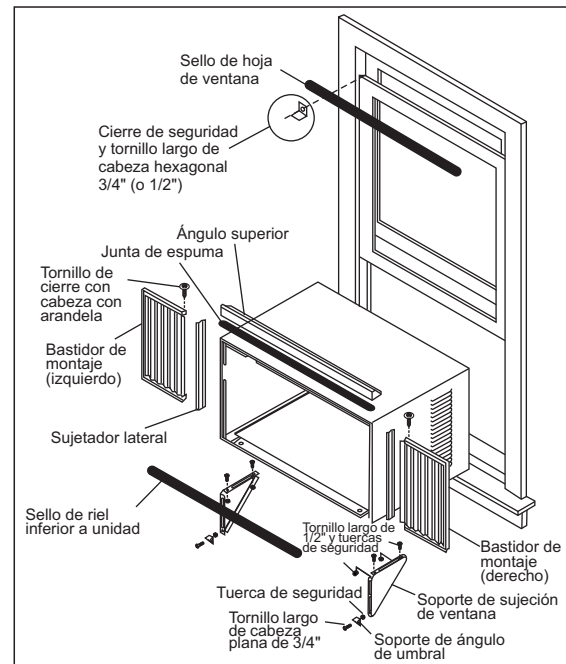
Cableado doméstico de aluminio podría presentar problemas especiales consultar a electircian calificado.

Al manipular la unidad, tenga cuidado de evitar cortes de bordes metálicos afilados y aletas de aluminio en las bobinas frontal y posterior.

NOTA:

Guardar cartón y estas instrucciones de instalación para referencia futura. La caja de cartón es la mejor manera de almacenar la unidad durante el invierno, o cuando no esté en uso.

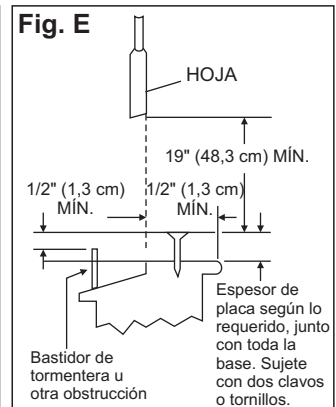
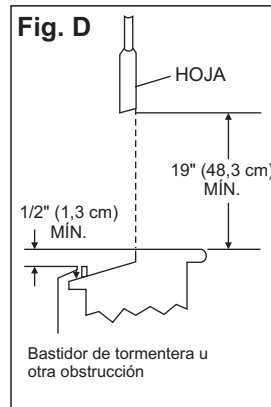
Instrucciones preliminares



Haga lo siguiente antes de instalar la unidad. Vea las siguientes ilustraciones.

Revise las dimensiones de la unidad para determinar el tipo de modelo:

Altura de la unidad:	18 5/8" (47,3 cm)	17 5/8" (44,8 cm)
Ancho de la unidad:	26 1/2" (67,3 cm)	23 5/8" (60 cm)
Apertura mín. de la ventana:	19 1/2" (49,5 cm)	18 1/2" (47 cm)
Ancho mín. de la ventana:	31" (78,8 cm)	28" (71,1 cm)
Ancho máx. de la ventana:	42" (106,7 cm)	40 1/2" (102,9 cm)



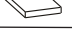
- Revise el tamaño de la apertura de la ventana:** las piezas de montaje proporcionadas con este acondicionador de aire sirven para instalarlo en una ventana de guillotina doble con umbral de madera. Las piezas estándares son para las dimensiones de ventana detalladas anteriormente. Abra la hoja a un mínimo de 19 pulgadas (483 mm). Consulte la Fig. D.
- Revise el estado de la ventana:** todas las partes de la ventana deben estar en buen estado y para soportar firmemente los tornillos necesarios. Caso contrario, realice reparaciones antes de instalar la unidad.

INSTRUCCIONES DE INSTALACIÓN

Instrucciones preliminares

3. **Revise sus tormenteras:** si su bastidor de tormentera no tiene el espacio necesario, corrija agregando una madera como se muestra en la Fig. E o quite la tormentera al instalar el acondicionador de aire.
4. **Revise que nada bloquee el flujo de aire:** revise que no haya cosas como arbustos, árboles o toldos en la parte exterior de la ventana. En el interior, asegúrese de que no haya muebles, cortinas ni persianas que interrumpen el flujo de aire adecuado.
5. **Revise el servicio eléctrico disponible:** la fuente de alimentación debe ser la misma que la que se muestra en la placa de serie de la unidad. El cable de alimentación tiene 48" (1,21 m) de largo. Asegúrese de que haya un enchufe cerca.
6. **Desempaque el acondicionador de aire con cuidado:** quite todo material de empaque. Proteja el piso o la alfombra de daños. Se recomienda que dos personas muevan e instalen la unidad.

Accesorio (incluido con la unidad)

	Tornillo de cierre de 7/16" y arandela plana para paneles de ventana	2 c/u
	Tornillo largo de cabeza hexagonal de 3/4" o (1/2")	7
	Cierre de seguridad	1
	Tornillo largo de 1/2" y tuerca de seguridad	4 c/u
	Tornillo largo de cabeza plana de 3/4" y tuerca de seguridad	2 c/u
	Soporte de ángulo de umbral	2
	Tornillo largo de cierre con cabeza hexagonal para ángulo superior, sujetador lateral de 5/16" de largo	10
	Inserto de espuma	2
	Espuma aislante en hoja de ventana	1
	Accesorio R1	2
	Burlete (10**3/4**1/12" - 254 mm x 19,1 mm x 2,11 mm)	5

NOTA: El accesorio R1 y el burlete solo son para modelos Energy Star.

Herramientas necesarias

Un destornillador plano grande, cinta métrica, llave inglesa o pinzas, lápiz, llaves fijas, destornillador Philips

A. Montaje en ventana

1 Retirar chasis

1. Baje la parrilla delantera y retire el filtro. (Consulte la Fig. 1).
2. Levante la parrilla delantera y colóquela a un costado.
3. Busque los cuatro tornillos delanteros y retírelos. Estos tornillos serán necesarios para volver a colocar el panel delantero (consulte la Fig. 2).

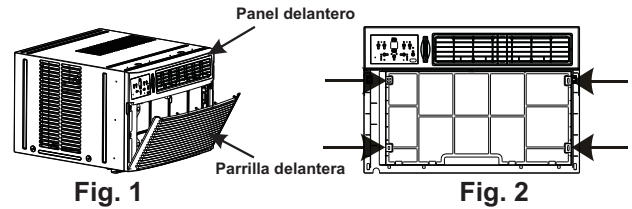


Fig. 1

Fig. 2

4. Presione el lado metálico del gabinete para liberar las lengüetas plásticas de cada lado del panel delantero (consulte la Fig. 3).
5. Levante con cuidado el panel delantero de la unidad (consulte la Fig. 3A).
6. Desconecte el enchufe del visor de la unidad y coloque el panel delantero a un costado (consulte la Fig. 4).

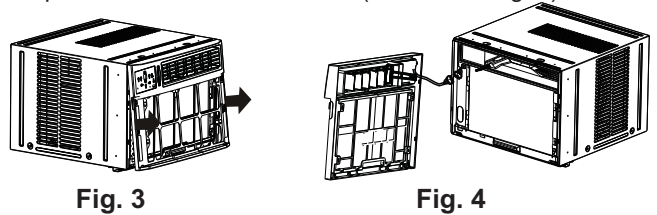


Fig. 3

Fig. 4

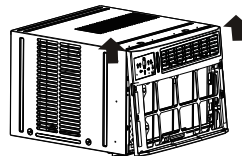


Fig. 3A

7. Quite los tornillos de envío de la parte superior de la unidad y los de los lados si tuviera (consulte la Fig. 5).
8. Sostenga con cuidado el gabinete al tirar de la manija de la base para retirar la unidad.
9. Agregue dos insertos de espuma en los orificios superiores del gabinete donde se quitaron los tornillos de envío (consulte la Fig. 6).

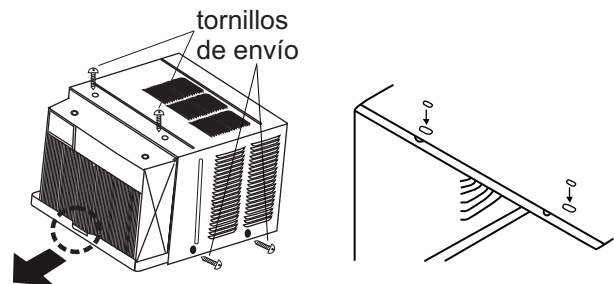


Fig. 5

Fig. 6

INSTRUCCIONES DE INSTALACIÓN

10. Su unidad puede venir con empaque interno. Este empaque debe retirarse antes de instalar el acondicionador de aire en el gabinete. (Consulte la Fig. 7).

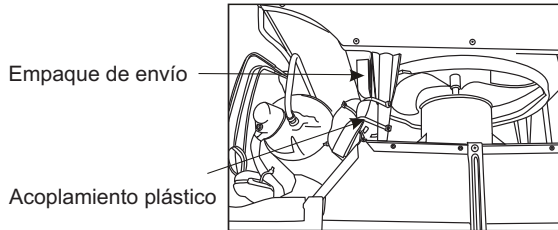


Fig. 7

2 Instalar ángulo superior y soporte lateral

1. Coloque la junta de espuma en el ángulo superior sobre los orificios como se muestra en la Fig. 6.
2. Instale el ángulo superior y los sujetadores laterales en el gabinete como se muestra en la Fig. 8 (10 tornillos).

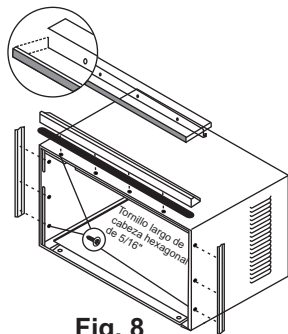


Fig. 8

3 Montar paneles de relleno de ventana

1. Coloque el gabinete en el piso, en un banco o una mesa.
2. Deslice la sección "I" del panel de relleno de ventana en el sujetador lateral en el costado del gabinete (consulte la Fig. 9 y Fig. 10). Haga esto en ambos lados.

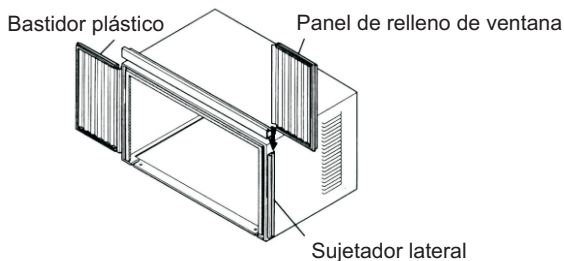


Fig. 9

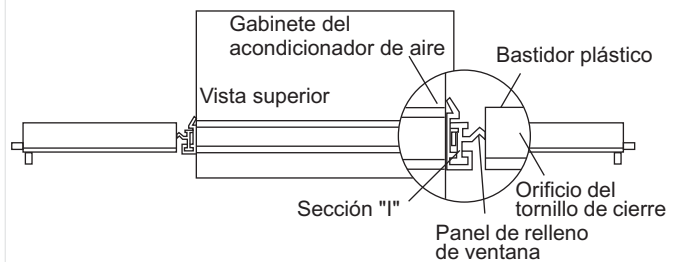


Fig. 10

3. Inserte las patas superior e inferior del bastidor de panel de relleno de ventana en el canal del ángulo superior y el riel inferior. Haga esto en ambos lados.
4. Inserte los tornillos de cierre de 7/16" con cabeza con arandela (2) en los orificios de la pata superior del bastidor de panel de relleno (consulte el paso 6). No ajuste por completo. Permita que la pata se deslice libre. Los tornillos se ajustarán después de la sección 6.

4 Colocar gabinete

1. Abra la ventana y marque el centro de la base según se muestra (Fig. 11).
2. Coloque el gabinete en la ventana con el ángulo de base inferior bien apoyado según se muestra. Baje la ventana temporalmente detrás del ángulo superior para sostener al gabinete fijo (Fig. 12).

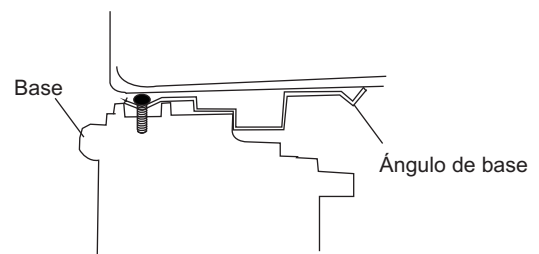
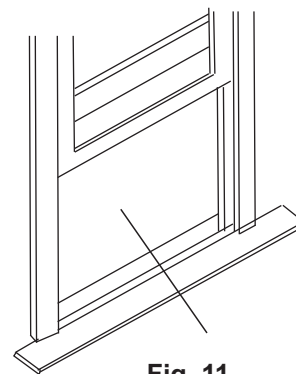


Fig. 12

3. Mueva el gabinete a derecha o izquierda según sea necesario para centrar el gabinete con la línea central marcada en la base.
4. Sujete el gabinete a la base de la ventana con 2 tornillos (puede marcar los orificios guía previamente).
5. Coloque el sello de riel inferior con tornillos en la base de la ventana.

INSTRUCCIONES DE INSTALACIÓN

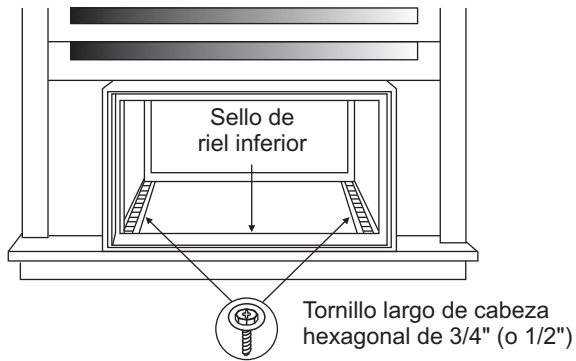


Fig. 13

5 Instalar soporte de sujeción

1. Sujete cada soporte de sujeción nivelado con la parte exterior del umbral y ajuste la parte inferior del gabinete como se muestra en la Fig. 15A. Marque los soportes en la parte superior del umbral y retírelos.
2. Monte el soporte de ángulo de umbral para sujetar los soportes en la posición marcada (Fig. 15B). Ajuste a mano para permitir cambios posteriores.

NOTA: Revise que el acondicionador de aire esté inclinado hacia atrás 1 1/4" (3,2 cm) a 1 5/8" (4,1 cm), inclinado unos 3° a 4° hacia abajo y afuera). Después de la instalación correcta, si la condensación no drena por el orificio de drenaje de derrame en el uso normal, corrija la inclinación (Fig. 14).

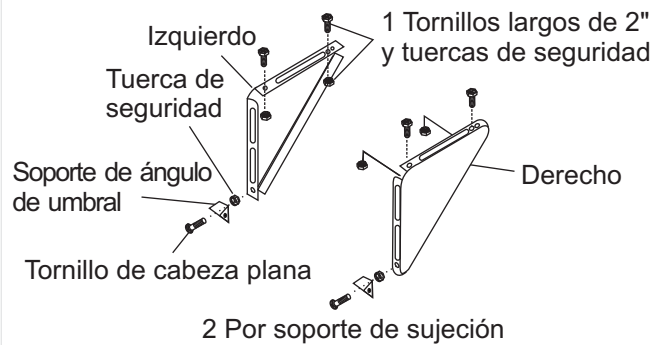
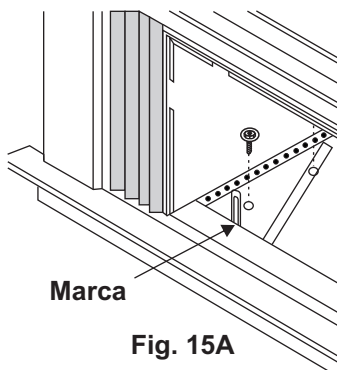
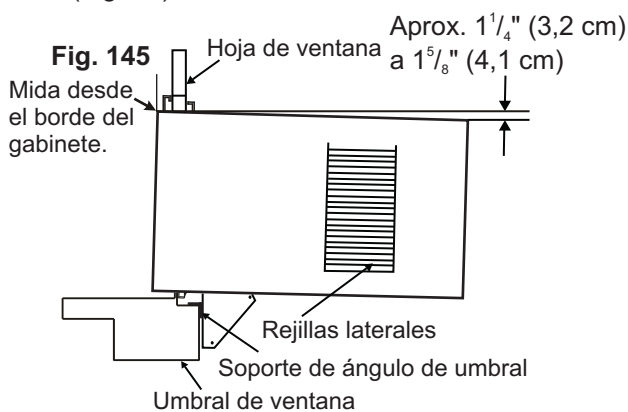
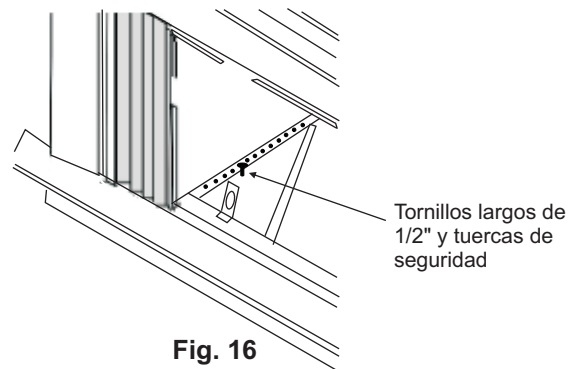


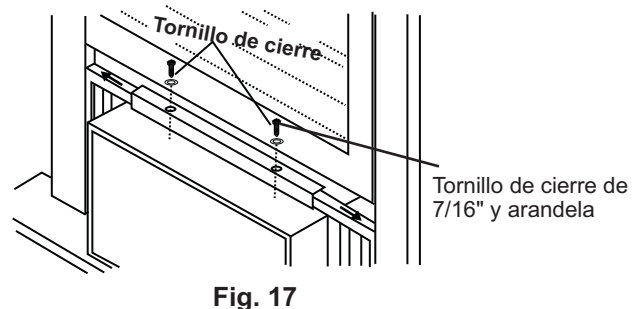
Fig. 15B

3. Instale los soportes de sujeción (con soportes de ángulo de umbral colocados) en el orificio correcto en la parte inferior del gabinete como se muestra en la Fig. 16.
4. Ajuste los 6 tornillos firmemente.



6 Extender paneles de relleno de ventana

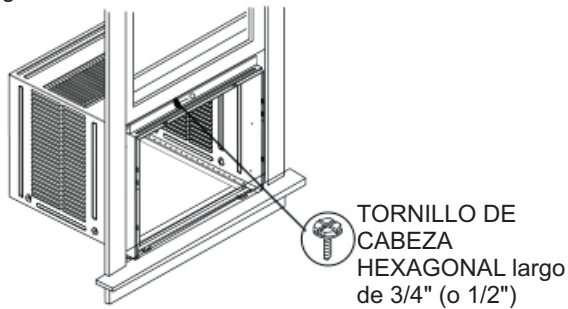
1. Levante la ventana con cuidado para exponer los tornillos de cierre del panel de relleno. Afloje los tornillos para que los paneles de relleno se deslicen fácilmente.
2. Extienda los paneles para llenar la apertura de la ventana por completo. Ajuste los tornillos de cierre en la parte superior (Fig. 17).
3. Cierre la ventana detrás del ángulo superior.



INSTRUCCIONES DE INSTALACIÓN

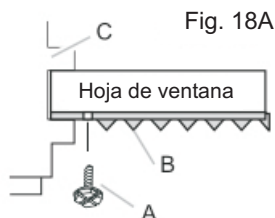
4. Coloque el ángulo superior en el bastidor de ventana: Utilice un taladro de 3/32" para perforar un orificio guía en el medio del ángulo superior en el bastidor de ventana, y coloque un tornillo de cierre de CABEZA HEXAGONAL de 3/4" (o 1/2") en el orificio del medio del ángulo superior y en el bastidor de ventana como se muestra (Fig. 17A).

Fig. 17A

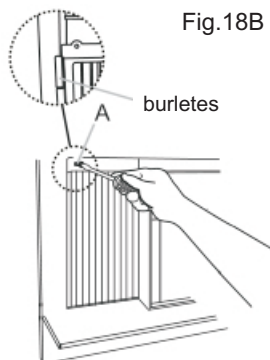


7 Colocar paneles de relleno de ventana en bastidor de ventana

1. Extienda los paneles de relleno de ventana contra el bastidor de la ventana.
2. Utilice un taladro de 1/8" para perforar un orificio guía en el orificio de la pata superior de cada panel de relleno de ventana y en la hoja de ventana (Fig. 18A y Fig. 18B). Conecte con un tornillo largo de cabeza hexagonal de 3/4" (o 1/2").



- A. Tornillo largo de cabeza hexagonal de 3/4" (o 1/2")
B. Pata superior izquierda del panel de relleno de ventana
C. Canal de ventana



- A. Tornillo largo de cabeza hexagonal de 3/4" (o 1/2")

8 Instalar sello de hoja de ventana y cierre de seguridad

1. Corte el sello de hoja para encajar con el ancho de ventana. Inserte en el espacio entre las hojas superiores e inferiores (Fig. 18).



Fig. 18

2. Coloque el cierre de seguridad en ángulo recto (Fig. 19).

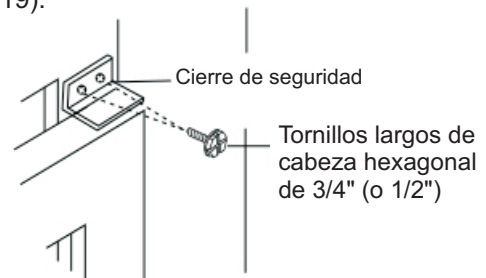


Fig. 19

9 Instalar chasis en gabinete e instalar parte delantera en unidad

1. Levante el acondicionador de aire y deslícelo con cuidado en el gabinete dejando que sobresalga 6" (15 cm).
2. NO presione los controles ni las bobinas con aletas.
3. Asegúrese de que el chasis esté bien apoyado en la parte posterior del gabinete.
4. La instalación de la parte delantera es opuesta a la extracción detallada en la Sección I.

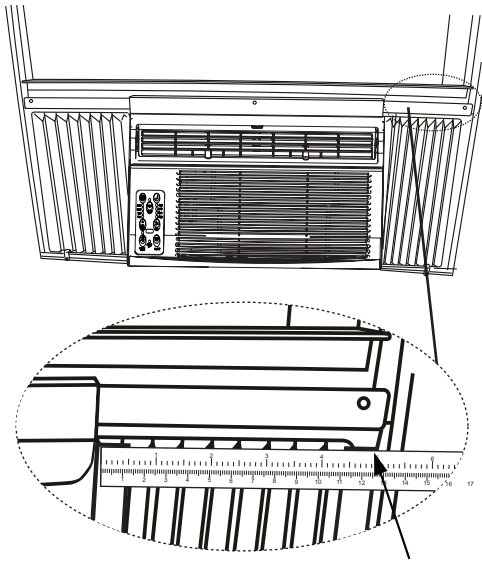
10 INSTALAR ACCESORIO R1 (solo se aplica a modelos Energy Star)

Para minimizar las filtraciones de aire y garantizar el aislamiento óptimo, es necesario instalar el accesorio R1 incluido en la cortina lateral. Siga las instrucciones a continuación.

Paso 1. Después de instalar la unidad en la ventana, mida el ancho interno de la cortina lateral como se muestra (Fig. 20).

Paso 2. Remarque una línea en el panel de aislamiento R1 según un largo de 1/8" (3 mm) menor que el ancho medido en el paso 1, luego corte el panel de aislamiento R1 por la línea (Fig. 12).

INSTRUCCIONES DE INSTALACIÓN



Medida del ancho interno de la cortina lateral

Fig. 20

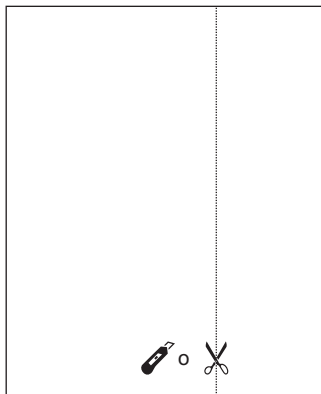


Fig. 21

Paso 3. Deslice el panel de aislamiento R1 en la cortina lateral, el lado con forma debe ir hacia adentro (Fig. 22).

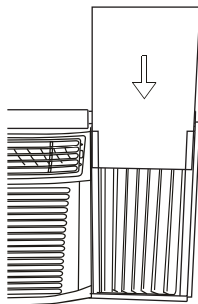


Fig. 22

Paso 4. Repita en el otro lado.

11 INSTALAR BURLETE (solo se aplica a modelos Energy Star)

Para minimizar las filtraciones de aire entre el acondicionador de aire y la apertura de la ventana, recorte el burlete con la longitud correcta, quite la parte trasera y tape huecos si es necesario (Fig. 23).

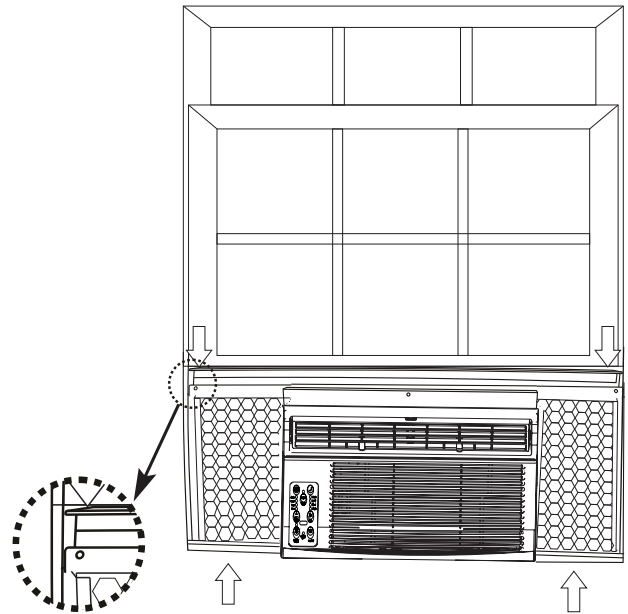


Fig. 23

INSTRUCCIONES DE INSTALACIÓN

B. Instalación a través de la pared

NOTA: Consulte los reglamentos de construcción o a un carpintero calificado antes de la instalación.

1 Seleccionar pared de instalación

El acondicionador de aire tiene un chasis deslizable para poder instalarlo en una pared exterior según se especifica a continuación:

Espesor máx. de pared: 10" (25,4 cm) o 12" (30,5 cm)

IMPORTANTE: Las rejillas laterales no se deben bloquear nunca.

NOTA: Se incluyen todas las piezas necesarias para la instalación a través de la pared, excepto el bastidor de madera, calces y 10 tornillos para madera (10 de 1" [2,5 cm] de largo como mínimo). Seleccione una superficie de pared que cumpla con lo siguiente:

1. No debe soportar cargas estructurales importantes, como la estructura de armazón en extremos de ventanas ni puntos debajo de vigas, etc.
2. No debe haber caños ni cables dentro.
3. Debe estar cerca de enchufes eléctricos o donde se puedan instalar.
4. Debe estar de frente y no bloqueando el área a refrigerar.
5. Debe permitir que fluya el aire sin obstáculos en la parte posterior y trasera (exterior) del acondicionador de aire instalado.

2 Preparar pared

1. Prepare la pared de estructura de armazón (con ladrillo y chapa de estuco). desde adentro de la habitación, busque el entramado más cercano al área donde se instalará el acondicionador de aire (golpeando la pared o buscando clavos magnéticamente).
2. Corte o haga un orificio a cada lado del entramado del medio.
3. Mida con los bordes internos de los entramados como se muestra en la Fig. 1.

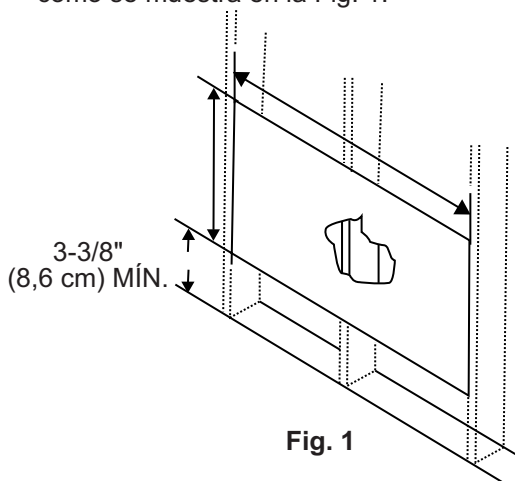


Fig. 1

Mida y corte una apertura con cuidado siguiendo las dimensiones según el modelo. Consulte la Fig. 1 y Fig. 2. ANCHO "X" = ancho de modelo interior más el doble del espesor del material de bastidor usado.

ALTO "Y" = alto de modelo interior más el doble del espesor del material de bastidor usado.

Alto de bastidor interior 18-7/8" (47,9 cm) o 18" (45,7 cm)
Ancho de bastidor interior: 26-3/4" (67,9 cm) o 23-7/8" (60,6 cm)

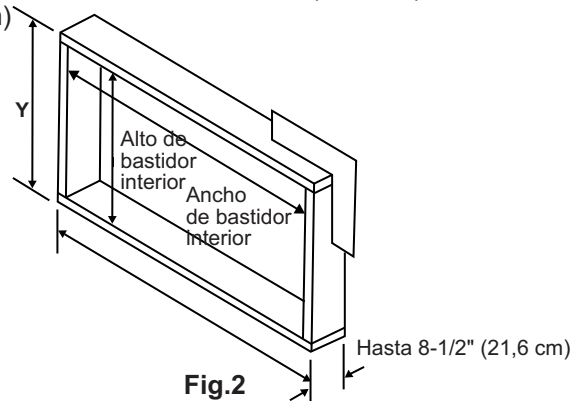


Fig. 2

4. Arme un bastidor de madera DENTRO de las dimensiones del modelo detallado arriba. (Recuerde medir dos veces). La profundidad del bastidor debe ser la misma que el espesor de la pared. Rellene el espacio de la abertura a los entramados con espaciadores de madera, según se muestra.
5. Clave el bastidor a los espaciadores nivelados con la parte delantera del panel de yeso.

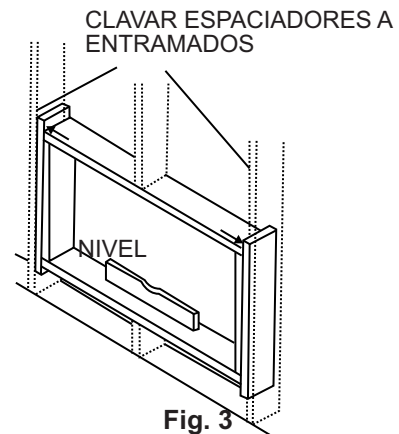


Fig. 3

NOTA: Si el espesor de la pared es de 8-1/2" (21,6 cm) o más, agregue babetas de aluminio sobre la parte inferior de la apertura del bastidor para asegurarse de que no entre agua entre la pared interior y exterior.

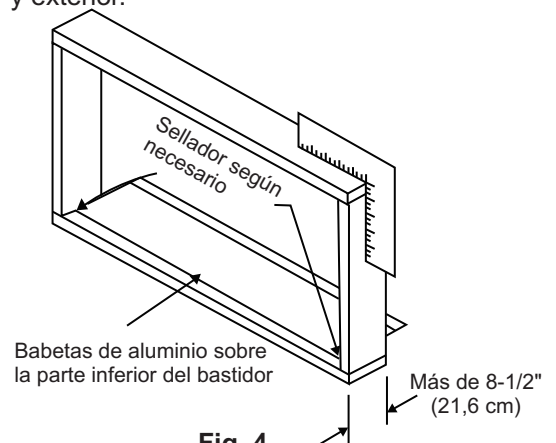


Fig. 4

INSTRUCCIONES DE INSTALACIÓN

3 Preparar e instalar gabinete

1. Deslice el chasis del gabinete. Consulte el paso uno de Montaje en ventana.
2. Coloque el gabinete en la apertura con el riel inferior apoyado sobre la placa inferior del bastidor de madera.
3. Coloque el gabinete de manera correcta con la inclinación para extracción de agua. (Consulte la Fig. 5).
4. Asegure el riel inferior al bastidor de madera con dos tornillos largos para madera de 1" (2,5 cm) en los dos orificios en la parte inferior del canal sobre el bastidor. (Consulte la Fig. 6).

NOTA: Revise que el acondicionador de aire esté inclinado hacia atrás $1\frac{1}{4}$ " (3,2 cm) a $1\frac{5}{8}$ " (4,1 cm), inclinado unos 3° a 4° hacia abajo y afuera). Después de la instalación correcta, si la condensación no drena por el orificio de drenaje de derrame en el uso normal, corrija la inclinación (Fig. 14).

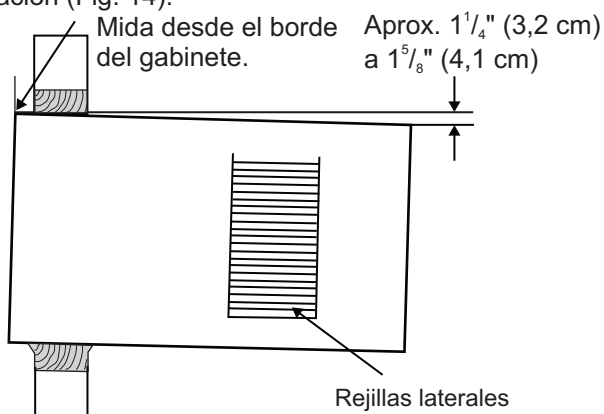


Fig. 5

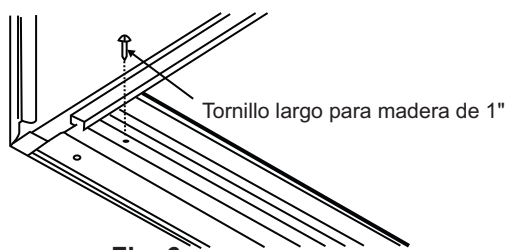


Fig. 6

Consulte el Paso 5 de Montaje en ventana para montar los soportes de sujeción. Debe usarse un listón de madera clavado en la pared exterior junto con soportes de sujeción de ángulo de umbral.

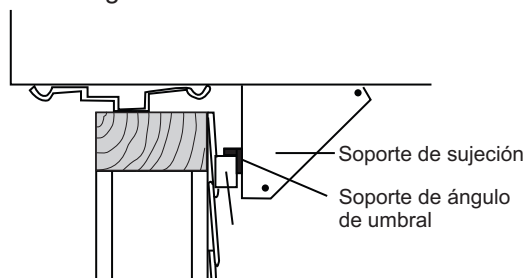
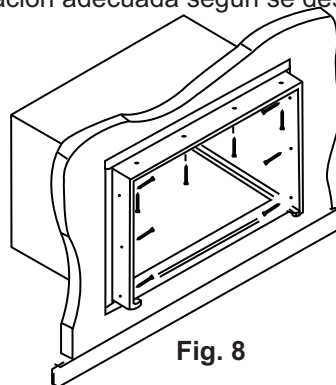


Fig. 7

5. Atornille o clave el bastidor de madera del gabinete con calces si el bastidor es más grande para eliminar distorsión. Consulte la Fig. 8. Recuerde mantener la inclinación adecuada según se describe en el Paso 3.



6. Instale el chasis en el gabinete siguiendo todos los pasos del Paso 8 de Montaje en ventana.

OPCIONAL: Se pueden sellar o instalar molduras en la pared interior. Puede comprar madera en su local o ferretería. En la parte exterior, selle las aperturas en las partes superior y laterales del gabinete y en todos los lados de la madera de la apertura.

NOTA: Consulte el Paso 5, Elemento 3 de las instrucciones de montaje en ventana para la ubicación del sello de riel inferior.

C. Construcción de mampostería

1. Corte o arme una apertura en la pared de mampostería similar a la construcción del bastidor (consulte el Paso 2 de la instalación a través de la pared para un espesor de pared superior a $8\frac{1}{2}$ ").
2. Asegure el gabinete con clavos para mampostería o con los tornillos de anclaje de mampostería adecuados. (Otra forma de hacer esto es armar un bastidor intermedio de 2x4 como se muestra en las ilustraciones del Paso 2 Preparar pared, pero hacerle un bastidor doble en cada lado e instalar entre la apertura de la pared de mampostería y el gabinete. El bastidor debe anclarse de forma segura a la apertura de la pared de mampostería). Esto permite tener buen espacio para las rejillas a cada lado del gabinete.
3. Instale un dintel para sostener la pared de mampostería sobre el gabinete. Pueden usarse los orificios existentes del gabinete o pueden perforarse nuevos para sujetar el gabinete en distintas posiciones. Asegúrese de que el espacio de la rejillas laterales cumplan con el Paso 1 anterior.
4. Instale soportes de sujeción del gabinete exterior como se muestre en el Paso 2 de la instalación a través de la pared. Selle o coloque babetas según sea necesario para generar un sello impermeable en las partes superior y lateral del gabinete.
5. Para completar la instalación, aplique molduras de madera en las proyecciones laterales del gabinete.

NORMALES SONIDOS

Sonido de ráfagas de aire

En la parte delantera de la unidad, es posible que escuches el sonido de ráfagas de aire

Gurgle / silbido

"Gorgoteo o siseo" puede ser oído debido a refrigerante que pasa a través del evaporador durante el funcionamiento normal.

Traqueteo agudo

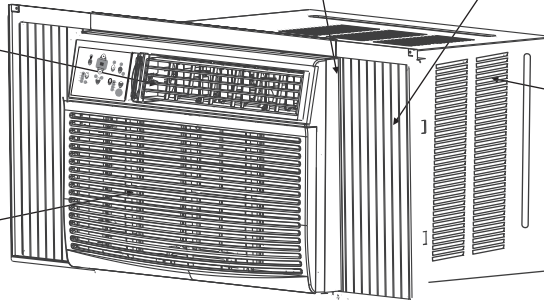
Alta eficiencia del compresor y tiene un traqueteo agudo durante el ciclo de refrigeración.

vibración

La unidad puede vibrar y hacer ruido debido a la mala pared o ventana construcción o instalación incorrecta

Hacer ping o conmutación

Las gotas de agua que caen sobre el condensador durante el funcionamiento normal puede causar ping o cambiar los sonidos.



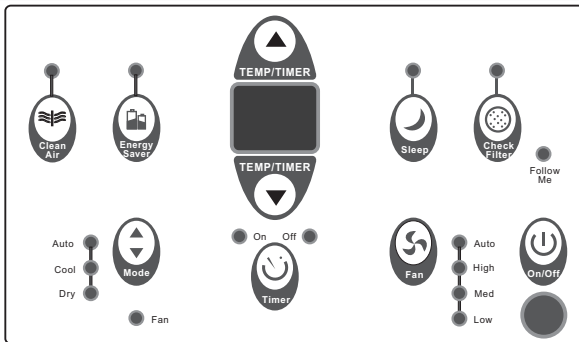
NOTA:

Todas las ilustraciones de este manual son para fines de explicación solamente. Su aire acondicionado puede ser ligeramente diferente. La forma real prevalecerá.

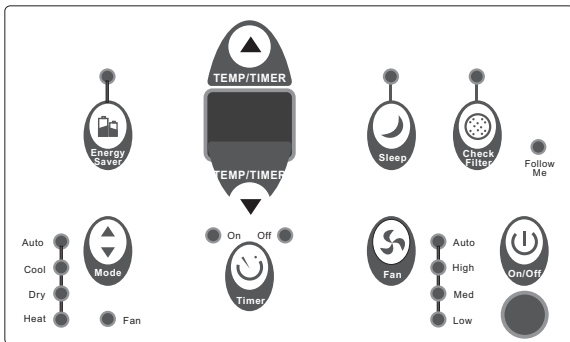
CARACTERÍSTICAS DE AIRE ACONDICIONADO

INSTRUCCIONES DE OPERACIÓN DE CONTROL ELECTRÓNICO

Antes de empezar, debe familiarizarse completamente con el panel de control como se muestra a continuación y todas sus funciones, a continuación, siga el símbolo de las funciones que usted desea. La unidad puede ser controlada por la unidad de control solo o con el mando a distancia.



(Cooling Only Models)



(Modelos sólo fríos)

PARA ENCENDER UNIDAD ON OR OFF:

Presar ON/OFF botón para encender la unidad de encendido o apagado.

NOTA: La unidad iniciará automáticamente la función de ahorro de energía bajo fresco, seco y Auto (sólo automático Refrigeración y Auto-Fan) modos.


Para cambiar Instalación de temperatura:

Presar / UP/DOWN button para cambiar Instalación de temperatura.


NOTA: Pulse o mantenga presionado el botón ARRIBA () o ABAJO () hasta que la temperatura deseada se ve en la pantalla. Esta temperatura se mantiene de forma automática en cualquier lugar entre 62°F(17°C) y 86°F(30°C). Si desea que la pantalla para leer la temperatura actual, consulte Para operar en la sección Sólo Fan.

CARACTERÍSTICAS DE AIRE ACONDICIONADO


PARA AJUSTAR VELOCIDAD DE FAN:

Pulse  para seleccionar la velocidad del ventilador en cuatro copas-Auto, Bajo, Medio o Alto. Cada vez que se pulsa el botón, el modo de velocidad del ventilador es shifted. For algunos modelos, la velocidad del ventilador no se puede ajustar en el modo CALOR. En el modo seco, la velocidad del ventilador se controla a baja automáticamente.


RASGO DE DESCANSO:

Pulse el botón  descanso para iniciar el modo de reposo. En este modo la temperatura seleccionada aumentará (enfriamiento) o disminuir (calefacción) por 2°F/1(or 2)°C 30 minutos después de que el modo está seleccionado. La temperatura entonces aumentará (enfriamiento) o disminuir (calefacción) por otro 2°F/1(or 2)°C después de un período adicional de 30 minutos. Esta nueva temperatura se mantuvo durante 6 horas antes de que vuelva a la temperatura seleccionada originalmente. Esto termina el modo de sueño y la unidad seguirá funcionando según lo programado originalmente. El programa de modo de reposo se puede cancelar en cualquier momento durante la operación pulsando de nuevo el botón de reposo.

RASGO DE FILTRO DE CHEQUE:

Presione  botón Comprobar filtro para iniciar esta función. Esta función es un recordatorio para limpiar el filtro de aire para un funcionamiento más eficiente. El LED (luz) se iluminará después de 250 horas de funcionamiento. Para reestablecer después de limpiar el filtro, presione el botón Comprobar filtro y la luz se apagará.

RASGO DE AHORRO DE ENERGÍA:

Pulse  el botón de ahorro de energía para iniciar esta función. Esta función está disponible en fresco, seco y AUTO (sólo AUTO-REFRIGERACIÓN Y AUTO-FAN) modelos. El ventilador continuará funcionando durante 3 minutos después de que el compresor se apaga. El entonces ciclos durante 2 minutos a intervalos de 10 minutos hasta que la temperatura ambiente está por encima de la temperatura del sistema, momento en el cual el compresor se vuelve a encender y comienza a refrigerar.


SIGA REPORTAJE:(en algunos modelos)



TEsta función se puede activar desde el mando a distancia controlar SOLAMENTE. El mando a distancia sirve como un termostato de control remoto que permite el preciso control de la temperatura en su ubicación.

Para activar la función Sígueme, apunte el control remoto el control hacia la unidad y pulse el Follow Me botón. La pantalla remota es la temperatura real en su ubicación. El mando a distancia envía esta señal al acondicionador de aire cada intervalo de 3 minutos hasta que pulse el botón Follow Me de nuevo. Si la unidad no recibe la señal e M seguimiento durante cualquier intervalo de 7 minutos, la unidad emitirá un sonido para indicar el modo de Follow Me ha terminado.

PARA SELECCIONAR MODELO DE OPERACIÓN:

Para elegir el modo de funcionamiento, pulse  Modo botón. Cada vez que pulse el botón, se selecciona un modo en una secuencia que va de Auto, Refrescar, Secar, el calor (modelos sólo frío y sin) y ventilador. La luz indicadora lado se ilumina y se mantuvo en una vez que se selecciona el modo.

La unidad iniciará automáticamente la función de ahorro de energía bajo fresco, seco y Auto (sólo automático Refrigeración y Auto-Fan) modos.

Para operar en función Auto:

- Cuando se programa el aire acondicionado en el modo AUTO, se seleccionará automáticamente, calefacción (modelos sólo frío fuera), o sólo ventilador de refrigeración en función de lo que la temperatura seleccionada y la temperatura ambiente.
- El aire acondicionado controla automáticamente la temperatura ambiente alrededor de la temperatura programada por usted.
- En este modo, la velocidad del ventilador no se puede ajustar, se inicia de forma automática a una velocidad de acuerdo con la temperatura ambiente.


Para operar el ventilador Sólo:

- Utilice esta función sólo cuando no se está enfriando, como la circulación de aire ambiente o aire manido del escape (en algunos modelos). (Recuerde abrir el respiradero durante esta función, pero mantenerlo cerrado durante el enfriamiento para la máxima eficiencia de enfriamiento.) Usted puede elegir cualquier velocidad del ventilador que prefiera.
- En esta función, la pantalla mostrará la temperatura ambiente actual, no la temperatura de ajuste como en el modo de refrigeración
- En el modo de sólo ventilador, la temperatura no está ajustado

Para operar en modelo de Secar:

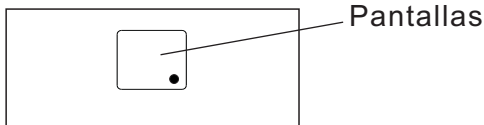
- En este modo, el acondicionador de aire, generalmente, operar en la forma de un deshumidificador. Dado que el espacio acondicionado es un sistema cerrado o sellado están, cierto grado de enfriamiento continuará.

□ TIEMPO: RASGO DE AUTO INICIO/CESO :

- Cuando enciende la unidad, primero presiona el botón reloj,  el indicador TIMER ON luz ilumina. Este indica que el programa de Auto Empezar está iniciado.
- Cuando se muestra el tiempo de temporizador, presione el botón del temporizador de nuevo, el OFF TIMER luz indicadora se ilumina. Se indica que se inició el programa de parada automática..
- Pulse o mantenga pulsado el botón ARRIBA o ABAJO para cambiar el tiempo de Auto por incrementos de 0,5 horas, hasta 10 horas, y luego a intervalos de 1 hora hasta 24 horas. El control de la cuenta regresiva del tiempo restante hasta el inicio.
- El tiempo seleccionado se registrará en 5 segundos, y el sistema volverá automáticamente a mostrar la configuración de la temperatura anterior oa temperatura ambiente cuando la unidad está encendida. (Cuando la unidad está apagada, la pantalla está apagada.)
- Encendido de la unidad o desactivar en cualquier momento o el ajuste de la configuración del temporizador de 0.0, se cancelará la función Auto Start / Stop programa asignado.

CARACTERÍSTICAS DE AIRE ACONDICIONADO

PANTALLSA:



PANTALLAS:

Muestra la temperatura programada en " °C" o " °F" y la instalación. Cuando Auto-temporizador en modo de sólo ventilador, muestra la temperatura de ambiente.

Códigos de error:

AS-sensor de temperatura ambiente de errores

Desenchufe la unidad y vuelva a conectarla in.If error se repite, llame al servicio técnico.

NOTA: En el modo sólo ventilador, se mostrará "LO" o "HI".

- -Sensor de temperatura del evaporador de errores desenchufe la unidad y vuelva a enchufarlo in.If se repite el error, llame al servicio técnico.

NOTA: "•" en la pantalla como se muestra en la imagen de la izquierda.

HS-sensor eléctrico calefacción errores Desenchufe la unidad y conéctelo de nuevo in.If error se repite, llame al servicio técnico.

NOTAS:

Si la unidad se interrumpe de forma inesperada debido al corte de suministro eléctrico, se reiniciará con la configuración de la función anterior de manera automática cuando se restablece el suministro eléctrico.

Control de ventilación de aire fresco

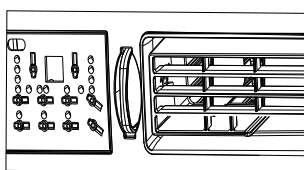


Fig. A (VENTILACIÓN CERRADA)

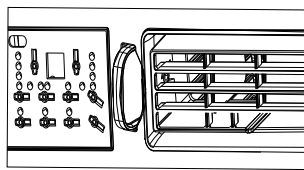


Fig. B (VENTILACIÓN ABIERTA)

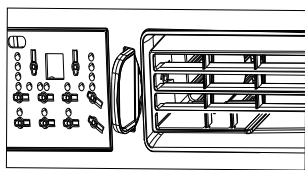


Fig. C (VENTILACIÓN Y ESCAPE ABIERTA)

La ventilación de aire fresco permite el aire acondicionado para

1. Recircular el aire interior- ventilación cerrar(Fig.A)
2. Toma aire fresco en la habitación- ventilación abierta(Fig.B)
3. Intercambia el aire de la habitación y saca aire fresco a la habitación- Ventilación y escape abierta(Fig. C)

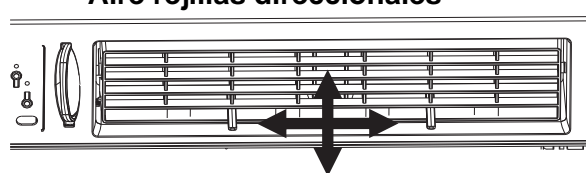
COSAS ADICIONALES QUE DEBES SABER

Ahora que ya domina los procedimientos de operación, aquí tiene más funciones en su control que usted debe estar familiarizado.

- El circuito de frío tiene un tiempo de 3 minutos de inicio automático demorado si la unidad se apaga y se enciende rápidamente. Esto evita el sobrecalentamiento del compresor y el posible interruptor tripping. The ventilador continuará funcionando durante este tiempo.
- El control es capaz de mostrar la temperatura en grados Fahrenheit o grados Celsius. Para pasar de una a otra, mantenga pulsada la Izquierda y Derecha Temporal / botones del temporizador al mismo tiempo durante 3 segundos.

Aire rejillas direccionales

Aire rejillas direccionales

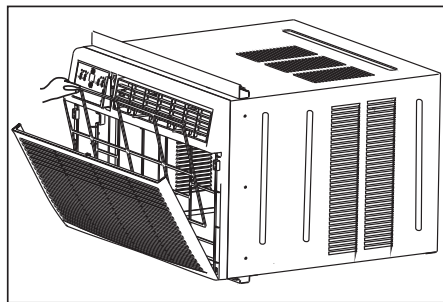


Dirección de aire(4- vía)

centro maneja Air direccional rejillas de control de flujo de aire dirección. Tu acondicionador de aire tiene la 4- vía sistema direccional descrito persianas siguientes. Le permitirá dirigir el flujo de aire hacia arriba o horizontal, y la izquierda o hacia la derecha por toda la habitación como necesita. Use el centro asas para ajustar la dirección de rejillas de lado a lado del aire hasta que la dirección izquierda o derecha deseado es obtained. Pivot persianas horizontales con los dedos hasta que la desea! o dirección horizontal es obtained. Hay una de las 4 posibles orientaciones direccionales de aire disponible con este sistema

CUIDADO Y LIMPIA

Limbia de filtro de aire



El filtro de aire debe ser revisado al menos una vez al mes para ver si es necesario limpiar. Las partículas atrapadas en el filtro pueden acumularse y causar una acumulación de escarcha en los serpentines de enfriamiento.

MANTENIMIENTO Y LIMPIEZA

La Limpieza del Filtro de Aire

- Empuje la palanca de ventilación en la posición de Cerrada Vent (en su caso). Abra el panel frontal.
- Tomar el filtro por el centro y tire hacia arriba y hacia fuera.
- Lave el filtro con un liquid detergente para lavar los platos, en agua caliente..En juague el filtro.Suavemente sacuda el exceso de agua del filtro.Asegúrese de que el filtro está seco antes de volver.Si no, en lugar de lavar, podría aspirar el filtro.

Nota: Nunca usar el agua más caliente que 40°C (104°F H) a limpiar el filtro de aire.Nunca trata de operar la unidad sin el filtro.

Almacenamiento en en Invierno

Si va a almacenar el aire acondicionado durante el invierno, elimínelo de la ventana con mucho cuidado según las instrucciones de la instalación.Cubralo con plástico o vuelvalo en la caja.

ADVERTENCIA

Limpie su aparato de aire acondicionado para mantener su aspecto nuevo. **Asegúrese de desconectar la unidad antes de limpiarla para evitar descargas eléctricas o riesgo de incendios.**

La Limpieza del Gabinete

- Asegúrese de desconectar el AC para protegerlo de descarga eléctrica o incendio.El gabinete y su frontera pueden ser limpiado por un paño libre de aceite o un paño humedecido en agua caliente con liquid detergente para limpiar los platos. Enjuaquelo bien y séquelo.
- Nunca use limpiadores abrasivos, ceras ni pulimento en el frente del gabinete.
- Asegúrese de quitar el agua en el paño antes de limpiar los controles.El exceso de agua dentro o alrededor del control podría causar daños al AC.
- Enchufe el aparato.

SOLUCIONES DE PROBLEMAS

Antes de llamar al servicio, revisa esta lista.Le podría ahorrar tiempo y molestia.Esta lista incluye las ocurrencias communes, los cuales no son resultado por un defecto del hechura o los materiales de la fábrica.

Problema	Solución
El aire acondicionado no funciona	<i>Enchufe de pared desconectado.Presione el enchufe con mucha fuerza en la toma de corriente.</i>
	<i>El fusible domestico estropeado o disyuntor abierto.Reemplace fusible por un retardante o volver a encender el disyuntor.</i>
	<i>Se desconecta el dispositivo de corriente.Presiona el botón RESET.</i>
	<i>Se apague. Enciéndalo.</i>
El aire de la unidad no es tan fría	<i>La temperatura de la habitación está bajo 62°F(17°C). No empieza a enfriar hasta la tempetura llega más que 62°F(17°C).</i>
	<i>Los elemtos del sensor de la temperatura detrás del filtro toca la bobina fría.Déjalo lejos de la bobina fría.</i>
	<i>Ajuste a una temperatura más baja.</i>
	<i>El compresro para cuando cambia el modo.Espere 3 minutos despúes de elegir el modo Frío.</i>
El aire acondicionado enfria, pero la habitación hace calor – forma hielo en la bobina fría detrás el frente decorativo	<i>La temperatura fuera está bajo 64°F(18°C). Para descongelar la bobina de O O, cambie al modo FAN ONLY.</i>
	<i>El filtro de aire podría ser sucio.Limpie el filtro.Consulte la sección del Mantenimiento y Limpieza. Para descongelarlo, cambie al modo FAN ONLY.</i>
	<i>El termostato ha ajustado demasiado frío durante su funcionamiento de la noche.Para descongelarla, cambie al modo FAN ONLY. Despúes, elige la una temperatura más alta.</i>

SOLUCIONES DE PROBLEMAS

Problema	Solución
El aire acondicionado enfría, pero la habitación hace mucho calor – no forma hielo en la bobina fría detrás el frente decorativo	<i>Un seco filtro de air- aire limitado. Limpie el filtro. Consulte a la sección del Mantenimiento y limpieza.</i>
	<i>Ha elegido una temperatura tan alta, elige una temperatura baja.</i>
	<i>Ha puesto la rejillas direccionales incorrectamente.. Ponga la rejilla en un lugar con mejor distribución del aire.</i>
	<i>La frontera de la unidad está cubierta con cortinas, persianas, muebles, etc. – distribución de aire limitado. Elimine la obstrucción en la frontera de la unidad.</i>
	<i>Se escape el aire frío por las puertas, ventanas, rejillas, etc.Cierre la puerta, ventana o rejilla.</i>
	<i>La unidad funciona en una habitación caliente recientemente. Perítilo un plazo de tiempo adicional para eliminar los calores guardados por los paredes, el techo, el suelo o los muebles.</i>
El aire acondicionado se enciende y apaga rápidamente	<i>Un seco filtro de aire- aire limitado. Limpie el filtro.</i>
	<i>La temperatura fuera es demasiado alto. Elige la velocidad del FAN a una opción más alto para traer más aires pasando por la bobina fría.</i>
Hace ruido cuando la unidad enfría	<i>El sonido del movimiento del aire Es normal .Si hace tanto ruido, cambie a una opción de FAN más baja.</i>
	<i>La vibración de la ventana – mala instalación. Consulte las instrucciones de instalación o consulte al instalador.</i>
El agua que gotea INTERIOR cuando unidad está enfriando.	<i>La instalación incorrecta. Inclina acondicionador de aire ligeramente hacia el exterior para permitir el drenaje del agua.Consulte las instrucciones de instalación - consulte con el instalador.</i>
El agua que gotea EXTERIOR cuando unidad está enfriando.	<i>Unidad eliminar gran cantidad de humedad del ambiente húmedo. Esto es normal durante días excesivamente húmedos.</i>
Teledetección desactivación Antes de tiempo (algunos modelos)	<i>El control remoto no encuentra dentro del alcance. Coloque el control remoto dentro de 20 pies & 180°,radio de la parte frontal de la unidad.</i>
	<i>Señal de control remoto obstruido. Retire la obstrucción.</i>
Habitación demasiado fría	<i>Ajuste la temperatura demasiado baja. Aumente la temperatura de la unidad.</i>

GARANTIA DE AIR ACONDICIONADO

Su producto está protegido por esta garantía:

Reparaciones bajo garantía deben ser obtenidos de Centro de Servicios al Consumidor de Midea o con un administrador de Midea.

	PERIODO DE GARANTIA	MIDEA , A TRAVES DE SU CENTRO DE SERVICIO AUTORIZADO, VAA	EL CONSUMIDOR VA A SER RESPONSABLE PARA
GARANTIA COMPLETA DE UNO AÑOS	Uno años a partir de la fecha de compra original	Pago de la totalidad de los costos de reparación o reemplazo de las partes de este dispositivo que se comprueba defectuosos en materiales o mano de obra.	Los costos de las llamadas de servicio que se encuentra bajo RESPONSABILIDADES DEL CONSUMIDOR NORMALES
GARANTIA LIMITADA DE 2DO A 5TO AÑOS (sistema sellado)	Segundo hasta quinto Año a partir de la fecha de compra original	Reparar o reemplazar cualquier parte en la Sistema Sellado de refrigeración (compresor, el condensador, el evaporador y el tubo)se comprueban defectuosos en materiales de la mano de obra.	Diagnóstico, retirada y reinstalación necesarioS delos costos de los servicios que no sean con respecto al sistema de refrigeración Sellado

Repuestos de Midea se utilizarán y se justifican únicamente por el período restante de la garantía original

Responsabilidades de los consumidores NORMALES

Esta garantía se aplica sólo a los productos de uso doméstico ordinario, y el consumidor es el responsable de los temas que figuran a continuación;

1. El uso adecuado del dispositivo, de conformidad con las instrucciones provistas con el producto.
2. Correcta instalación por un profesional de servicio autorizado, de conformidad con las instrucciones provistas con el dispositivo, y de conformidad con todos los plomería local , electricidad y / o códigos de gas.
3. Una buena conexión a tierra a una fuente de alimentación de voltaje suficiente, de sustitución de fusibles quemados, la reparación de los defectos sueltos o las conexiones de cableado en casa.
4. Los gastos para hacer que el dispositivo llegue al centro de la prestación de servicios.
5. Los daños a perfeccionar después de la instalación.

GARANTIA DE AIR ACONDICIONADO

EXCLUSIONES

Esta garantía no incluye los siguientes:

- 1) Fallos causados por el daño a la máquina cuando está de su propiedad (salvo los daños causados por el defecto o mala función), por la instalación no correctas, o por el uso irrazonable de la máquina, incluyendo sin limitación, fracaso de proveer responsabilidad y mantenimiento necesario o de seguir las Instrucciones de Instalación y Operación.
- 2) Daños causados por los servicios realizados por personas salvo los servidores autorizados de Midea, uso de las partes no de Midea
- 3) Si la máquina se usa en el campo comercial, de negocio, renta, o de otros propósitos salvo para el uso del cliente, no ofrecemos la garantía ni expresa ni implícita, incluido pero no limitado, cualquier garantía implícita de comercializable o adaptabilidad para el uso o propósito particular.
- 4) Los productos sin números seriales originales o los que no tiene los números seriales cuales no han sido alterados o no pueden ser reconocido fácilmente.

Nota: En algunos estados no se permite la exclusión o limitación de los daños incidentales o consecuenciales. Por lo tanto, esta limitación o exclusión podría no aplicar para usted.

SI USTED NECESITA SERVICIO

Guarde su recibo de compra, tiquete de reparto, o otros comprobantes apropiados de pago.

La fecha en el recibo estable el período de garantía que se requiere el servicio.

Si el servicio se ha realizado, será su mejor interés de obtener y guardar todos los recibos.

Esta garantía escrita le ofrece los derechos específicos legales.

Usted también puede tener otros derechos que varían entre cada estado.

El servicio bajo esta garantía debe ser obtenido por los pasos siguientes en orden.

1. Contactar a los Servicios a Cliente de Midea o a un servidor autorizado de Midea a 1-866-646-4332.
2. Si se tiene una cuestión como de donde se puede obtener servicio, contacte nuestro Departamento de Relaciones con Clientes.

El diseño y especificación se publican sin previo aviso de las mejoras del producto.
Consulte a la agencia de ventas o el fabricante sobre más informaciones.