

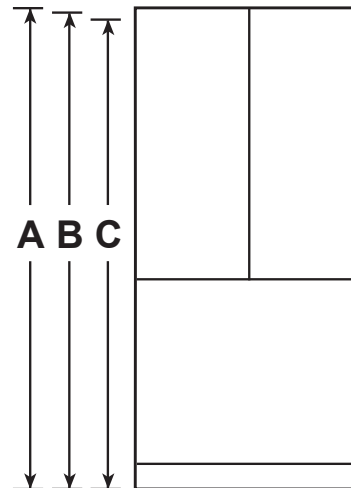
GNE21FMK/FSK

GE® Series ENERGY STAR® 20.8 Cu. Ft. French-Door Refrigerator

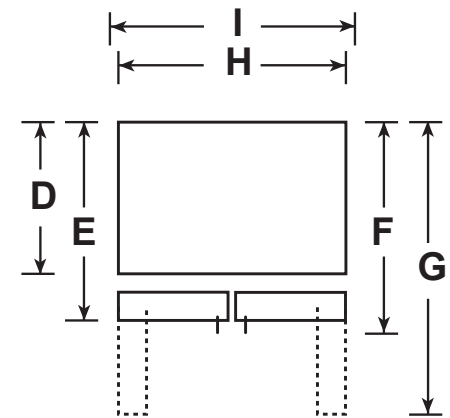
DIMENSIONS AND INSTALLATION INFORMATION (IN INCHES)

OVERALL DIMENSIONS	Height to top of door (in.) A	69-7/8
	Height to top of hinge (in.) B	69-3/4
	Height to top of case (in.) C	68-5/8
	Case depth without door (in.) D	29-3/4
	Case depth less door handle (in.) E	34-1/8
	Case depth with door handle (in.) F	36-5/8
	Depth with fresh food door open 90° (in.) G	46-1/8
	Width (in.) H	29-3/4
	Width with door open 90° inc. door handle (in.) I	37-7/8
AIR CLEARANCES	Each side (in.)	1/8
	Top (in.)	1
	Back (in.)	2

FRONT VIEW



TOP VIEW



For answers to your Monogram, GE Café™ Series, GE Profile™ Series or GE Appliances product questions, visit our website at geappliances.com or call GE Answer Center® Service, 800.626.2000.



Listed by
Underwriters
Laboratories



As an ENERGY STAR® partner, GE has determined that this product meets the ENERGY STAR guidelines for energy efficiency.

GNE21FMK/FSK

GE® Series ENERGY STAR® 20.8 Cu. Ft. French-Door Refrigerator

FEATURES AND BENEFITS

30" wide

LED lighting – Find exactly what you’ve been looking for under crisp, clear lighting

Factory-installed icemaker – Refrigerator comes ready to automatically create ice

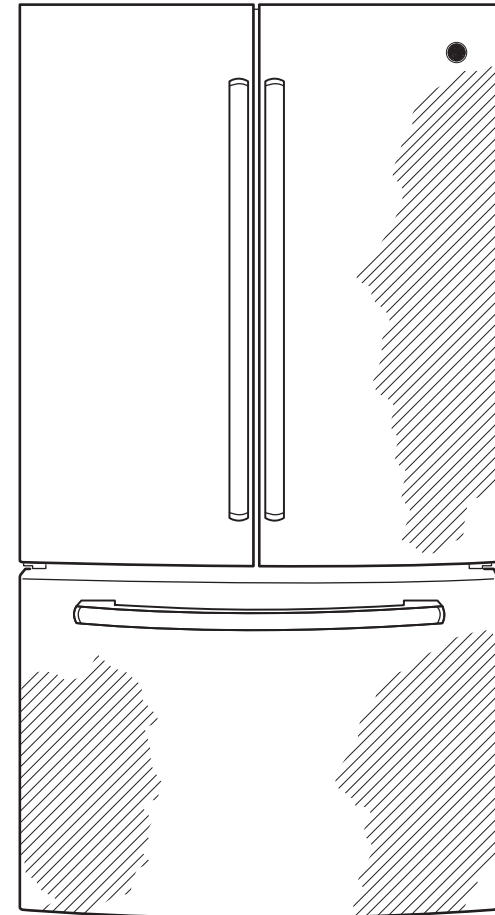
Advanced water filtration uses RPWFE replacement filter – Reduces trace pharmaceuticals from water and ice* (* Removes 98% of ibuprofen, atenolol, fluoxetine, progesterone and trimethoprim. These pharmaceuticals are not necessarily in all users’ water)

Upfront temperature controls with actual temperature display – Easy-to-reach controls display accurate temperatures

Door alarm – Enjoy peace of mind knowing the refrigerator door is never left open

Model GNE21FSKSS – Stainless steel

Model GNE21FMKES – Slate



As an ENERGY STAR® partner, GE has determined that this product meets the ENERGY STAR guidelines for energy efficiency.