

# FRIGIDAIRE



## 30" Front Control Freestanding Gas Range

### Gas Range

Available Products: FFGH3054UB, FFGH3054US, FFGH3054UW

Available Colors: Black, Stainless Steel, White

Version: 08/22

## Product Specifications

### Cooktop

Cooking Surface Type	Gas
Grate Material	Cast Iron
Grate Quantity	3
Grate Style	Continuous

### Cooking Controls

Bake	Yes
Broil	Yes
Cancel	Yes
Clock	Yes
Kitchen Timer	Yes
Lockout	Yes
Oven Light	Yes
Preheat	Yes
Probe	No
Self Clean	Yes
Temperature Display	Yes
Timed Bake	Yes

### Drawer

Drawer Type	Storage
-------------	---------

### Display

Display Type	Membrane
Control Location	Front

### Electrical Specifications

Minimum Circuit Required	5 Amps
Voltage Rating	120 V

### General Specifications

Prop 65 Label	Yes
Warranty - Labor	1 Year
Warranty - Parts	1 Year
Frigidaire Fit Promise	Yes

### Safety Certifications and Approvals

CSA Listed	Yes
------------	-----

### Cooktop Performance

Right Front Element Burner	17,000 BTU
Right Rear Element Burner	5,000 BTU
Left Front Element Burner	12,000 BTU
Left Rear Element Burner	9,500 BTU
Center Rear Element Burner	9,500 BTU

### Oven

Bake System	Yes
Bake Element	18,000 BTU
Broil System	Yes
Rack Position Type	Nickel Ladder
Number of Rack Positions	6
Rack Type 1	Flat
Rack Type 1 Quantity	2
Window Type	Extra Large Visual

### Controls

Control Lock	Yes
Sabbath Mode	No

### Dimensions and Volume

Height	36 5/8"
Width	29 7/8"
Depth	26 3/4"
Depth With Door 90° Open	36 5/8"
Oven Interior Height	18 5/8"
Oven Interior Width	24 3/8"
Oven Interior Depth	19 1/8"
Oven Capacity	5 Cu. Ft.

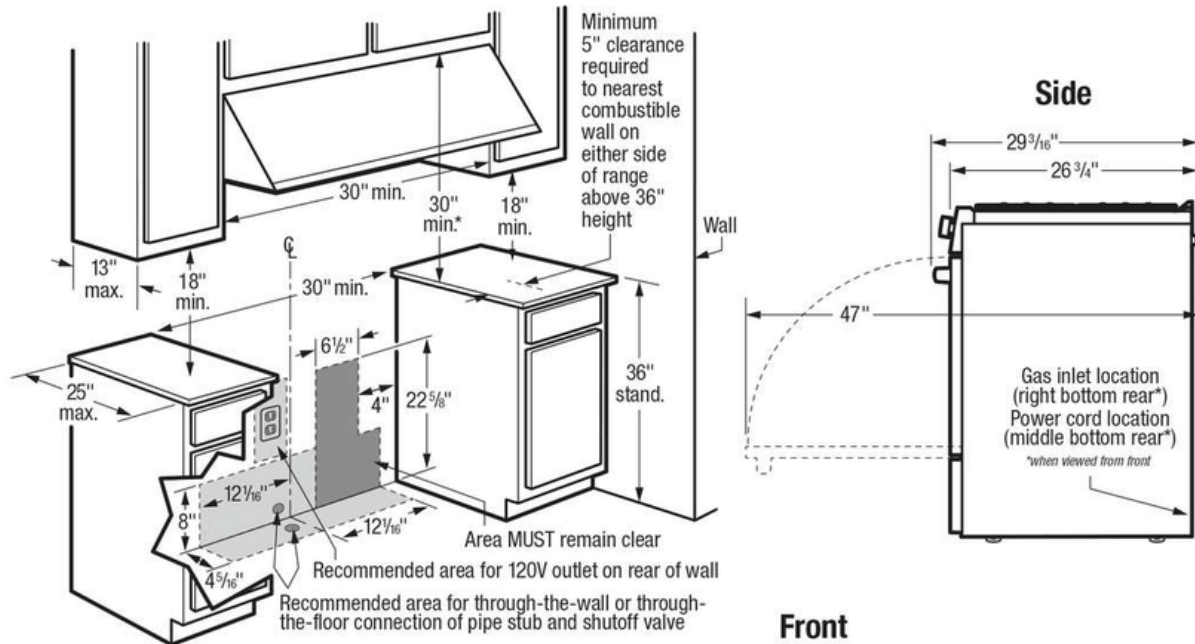
### Installation

Adjustable Leveling Legs	Yes
Power Supply Connection Location	Bottom Center

### Certifications and Approvals

ADA Compliant	Yes
---------------	-----

## Installation Diagram



**\*Note:** 30" minimum clearance between top of cooking surface and bottom of unprotected wood or metal overhead cabinet; or 24" minimum clearance when bottom of wood or metal overhead cabinet is protected by not less than 1/4" flame-retardant millboard covered with not less than No. 28 MSG sheet steel, 0.015" stainless steel, 0.024" aluminum or 0.020" copper. 0" clearance is minimum for rear of range. Follow all dimension requirements provided above to prevent property damage, potential fire hazard, and incorrect countertop and cabinet cuts.

