

FRIGIDAIRE

FFFU20F1UW

Available Colors : White

Version : 01/20

Upright Freezer

20.0 Cu. Ft Upright Freezer



Product Specifications

Certifications & Approvals

CSA Listed	Yes
ENERGY STAR® Certified	No

Freezer

Automatic Defrost	Yes
Convertible	Yes
Door Bin Color	White
Interior Lighting	LED
Number of Adjustable Shelves	4
Number of Baskets / Bins	1
Number of Fixed Door Bins	4
Shelf Material	Wire
Total Number of Door Bins	4
Total Number of Shelves	4

Controls

Control Location	Right side wall
Control Type	Electronic controls
Power On/Off	Yes

Electrical Specifications

Minimum Circuit Required (Amps)	15
Voltage Rating	115V 60Hz

General Specifications

Annual Energy (kWH)	540
Leveling Legs	Yes
Refrigerant Type	R600a

Exterior

Cabinet Color	White
Cabinet Finish	White
Reversible Door	No

Dimensions and Volume

Depth With Door	28-29/32"
Depth With Door 90° Open	61-11/16"
Freezer (Cu. Ft.)	20
Height With Hinge	76-13/16"
Total Capacity (Cu. Ft.)	20
Width	32-13/16"

FFFU20F1UW

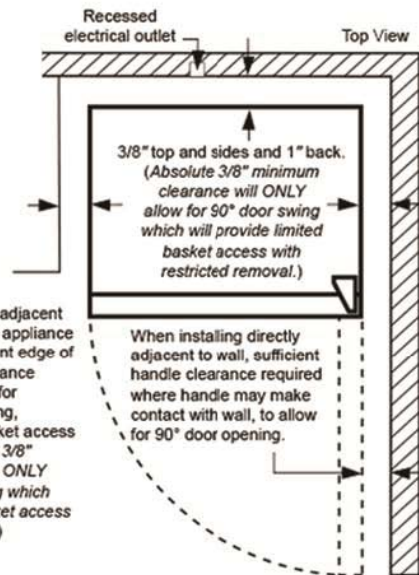
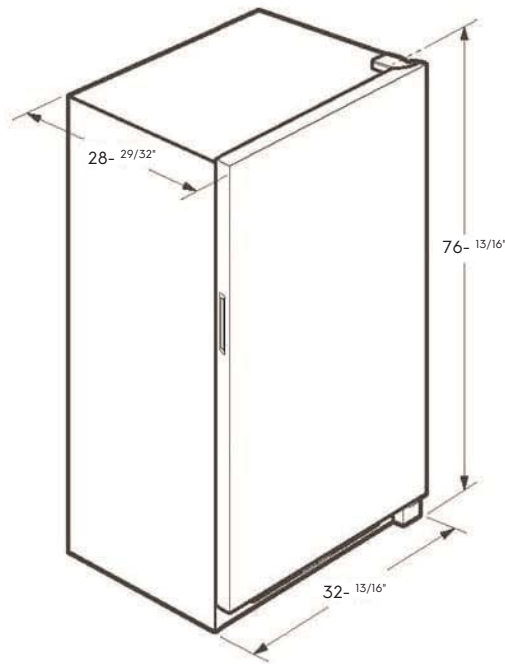
Available Colors : White

Version : 01/20

Upright Freezer

20.0 Cu. Ft Upright Freezer

Installation Drawing



When installing freezer adjacent to wall, cabinet or other appliance that extends beyond front edge of unit, 20" minimum clearance recommended to allow for optimum 125° door swing, providing complete basket access and removal. (Absolute 3/8" minimum clearance will ONLY allow for 90° door swing which will provide limited basket access with restricted removal.)

Note: For planning purposes only. Always consult local and national electric, gas and plumbing codes. Refer to Product Installation Guide for detailed installation instructions on the web at [frigidaire.com / frigidaire.ca](http://frigidaire.com/frigidaire.ca). Specifications subject to change. Accessories information available on the web at frigidaire.com / frigidaire.ca