

## FFCD2418U S/W/B

### DISHWASHER

24" BUILT-IN



#### AVAILABLE COLORS



Stainless



White



Black

#### PRODUCT DIMENSIONS

Height (Min. - Max.)	33-1/2" - 35"
Width	24"
Depth	25"

#### MORE EASY-TO-USE FEATURES

##### Multiple Cleaning Cycle Options

Features easy-to-use cleaning cycle options for your different cleaning needs including Energy Saver, 1-Hour, Normal Wash and Heavy Wash.

##### ENERGY STAR®-Certified

Maximize your energy and dollar savings with ENERGY STAR® Certified Appliances.

##### Time-Saving 4-Hour Delay Start

Set your dishwasher to run on your schedule. It can be set to run 4 hours in advance.

##### Quiet Operation Won't Run You Out Of The Room

Run your dishwasher while you're in the same room. It runs at 55 dBAs.

##### Cycle Status Indicators

Know when your dishes are washing, drying and clean with the status indicators.

##### Filtration System

Self-cleaning filter eliminates food particles, keeping dishes clean.

##### Stay-Put Door Allows For Easier Loading

The door stays put at whatever angle you open it for easy loading and unloading.

##### Durable Polymer Wash Tub

Supports the drying process, keeping dishes dry the first time.

##### Built with American Pride

Designed, engineered and assembled in the U.S.A.

#### SIGNATURE FEATURES

##### A Thorough Clean Every Time

Three separate spray arms give your dishes the ultimate clean every time.

##### National Sanitation Foundation® Certified

Sanitize cycle removes 99.9% of common household bacteria.

##### Fits up to 14 Place Settings

Cleans 14 place settings in one cycle.

##### Heated Drying System

Heating element helps dry your dishes the first time.

#### CERTIFICATIONS

ENERGY STAR®



NSF® International Certification



# FFCD2418U S/W/B DISHWASHER

FRIGIDAIRE

## 24" BUILT-IN

### FEATURES

Control Design	Ready-Select®
Door Latch	Yes
Stay-Put Door Hinge Design	Yes
Low Rinse-Aid Indicator Light	Yes
Interior Color	Greystone
Interior Design	Tall Tub
Wash System	Direct Feed
Wash Levels	5
Wash Speeds	5
Sound Package	UltraQuiet™ III
Filter	Poly
Filter Trap	Removable
Food Disposer	Hard
dB Level	55
Drying System	Heated Dry

### CYCLES

Number of Cycles	5
PowerPlus™ (Heavy)	Yes
Normal	Yes
Light (1-Hour)	Yes
Rinse Only	Yes
Energy Saver Plus	Yes
Cycle Indicator Light	Yes
Control Lock	Yes

### OPTIONS

Heat	Yes
No Heat Dry	Yes
Hi-Temp Wash	Yes
NSF® Certified Sanitize Rinse	Yes
Delay Start	4 Hours

### RACK SYSTEM

Rack Design	Standard
Rack Coating	PVC

#### Lower Rack -

SpaceWise® Silverware Basket	Standard
------------------------------	----------

#### Upper Rack -

Rack Type	Better
Cup Shelves	Yes

### CERTIFICATIONS

ENERGY STAR®	Yes
NSF® International Certification	Yes

### SPECIFICATIONS

Water Inlet Location	Left Bottom Front
Water Usage (Gallons)	6.0
Water Pressure (PSI)	20 - 120
Integral Air Gap on Supply	Yes
Leveling Legs	Yes
Power Supply Connection Location	Right Bottom Front
Voltage Rating	120V / 60 Hz / 15A
Connected Load (kW Rating) @ 120 Volts <sup>1</sup>	1.44
Amps @ 120 Volts	10.0
Shipping Weight (Approx.)	83 Lbs.

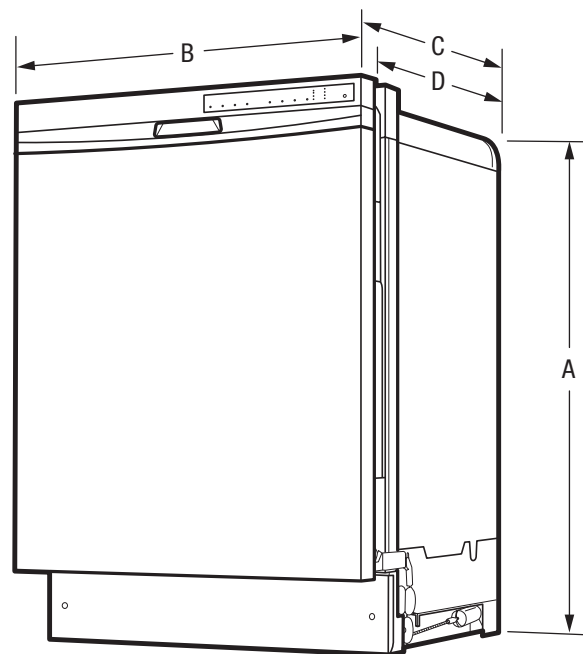
<sup>1</sup>For use on adequately wired 120V, dedicated circuit having 2-wire service with a separate ground wire. Appliance must be grounded for safe operation.

### PRODUCT DIMENSIONS

A - Height (Min.-Max.)	33-1/2" - 35"
B - Width	24"
C - Depth	25"
Depth with Door Open 90°	49-1/4"

### CUTOUT DIMENSIONS

Height (Min.)	33-1/2"
Height (Max.)	35-1/4"
Width (Min.)	24"
Depth (Min.)	25"

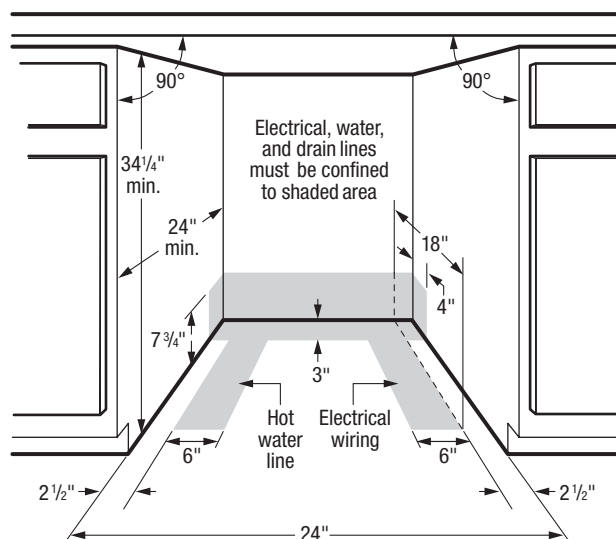
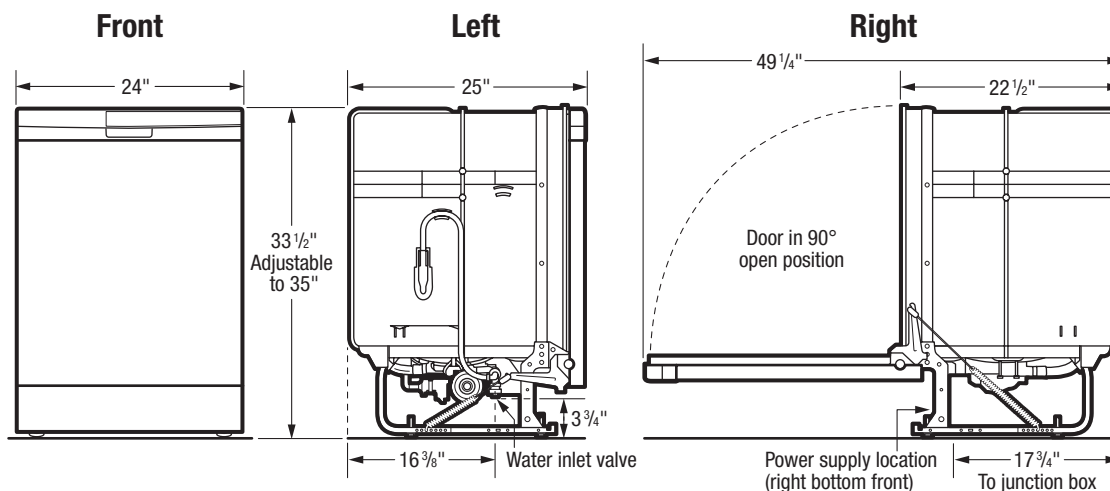


**Note:** For planning purposes only. Always consult local and national electric, gas and plumbing codes. Refer to Product Installation Guide for detailed installation instructions on the web at [frigidaire.com](http://frigidaire.com) / [frigidaire.ca](http://frigidaire.ca).  
Specifications subject to change. Accessories information available on the web at [frigidaire.com](http://frigidaire.com) / [frigidaire.ca](http://frigidaire.ca)

FRIGIDAIRE

USA • 10200 David Taylor Drive • Charlotte, NC 28262 • 1-800-FRIGIDAIRE • [frigidaire.com](http://frigidaire.com)  
CANADA • 5855 Terry Fox Way • Mississauga, ON L5V 3E4 • 1-800-265-8352 • [frigidaire.ca](http://frigidaire.ca)

FFCD2418U 07/18  
© 2018 Electrolux Home Products, Inc.



## INSTALLATION SPECIFICATIONS

- Product Shipping Weight (approx.) – 83 Lbs.
- Voltage Rating – 120V / 60 Hz / 15 Amps (maximum 20 Amps if connected with disposer)
- Connected Load (kW Rating) @ 120 Volts = 1.44 kW (For use on adequately wired 120V, dedicated circuit having 2-wire service with a separate ground wire. Appliance must be grounded for safe operation.)
- Amps @ 120V = 10 Amps
- Always consult local and national electric & plumbing codes. Meets requirements of ASSE 1006—integral air gap on supply.
- Water Pressure – Hot water line to dishwasher must provide between 20 and 120 pounds per square inch (psi) with at least 120°F hot water temperature.
- Make sure location has correct drain, water and electrical outlets to make connections—MUST be confined to shaded areas.
- Electrical and water supplies should enter cabinet opening on floor, or through back or side walls, as shown in shaded areas.
- Keep back free of drain, water & electrical supply.
- Connections preferably located toward left side of dishwasher. Do not cross drain, water or electrical lines in front of motor, blower or frame.
- If connecting drain hose to sink trap, local code may require installation of Air Gap Kit (not included).
- Leveling legs supplied to adjust height. (Note: Height only adjustable to 35-3/4" max. when installed in 35-3/4" max. standard cabinetry cutout. 5/16" min. clearance required from top of unit to underside of countertop. Dimensions do NOT include insulation — insulation blanket may be compressed during installation.)
- When installing adjacent to wall, cabinet or other obstruction that extends beyond front edge of unit, allow 2" minimum clearance between opened door and obstruction.
- Floor should be flat and free of obstructions with carpet removed to provide motor clearance.
- When installing at end of cabinet line, sides and back must be fully enclosed.
- Do not install unit under a cooktop, damage will occur.
- Recommended to seal cabinets, enclosing all sides of dishwasher, including underside of countertop, with oil-based paint or moisture-proof polyurethane to prevent possible steam/moisture damage.



**Note:** For planning purposes only. Always consult local and national electric, gas and plumbing codes. Refer to Product Installation Guide for detailed installation instructions on the web at [frigidaire.com](http://frigidaire.com) / [frigidaire.ca](http://frigidaire.ca). Specifications subject to change. Accessories information available on the web at [frigidaire.com](http://frigidaire.com) / [frigidaire.ca](http://frigidaire.ca)

**FRIGIDAIRE**

USA • 10200 David Taylor Drive • Charlotte, NC 28262 • 1-800-FRIGIDAIRE • [frigidaire.com](http://frigidaire.com)  
CANADA • 5855 Terry Fox Way • Mississauga, ON L5V 3E4 • 1-800-265-8352 • [frigidaire.ca](http://frigidaire.ca)

FFCD2418U 07/18

© 2018 Electrolux Home Products, Inc.